

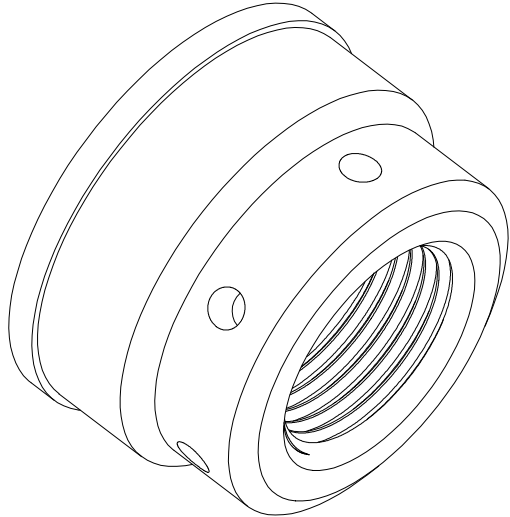
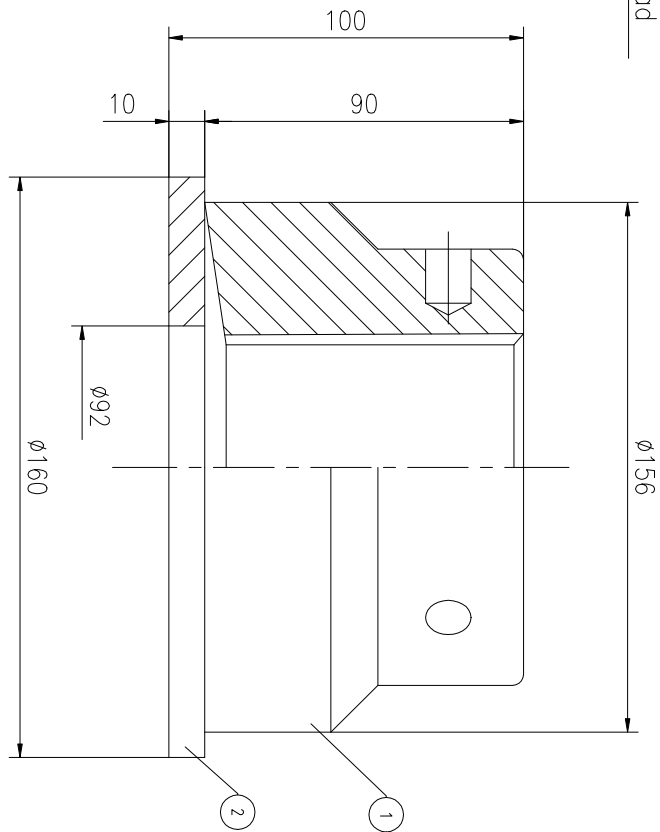
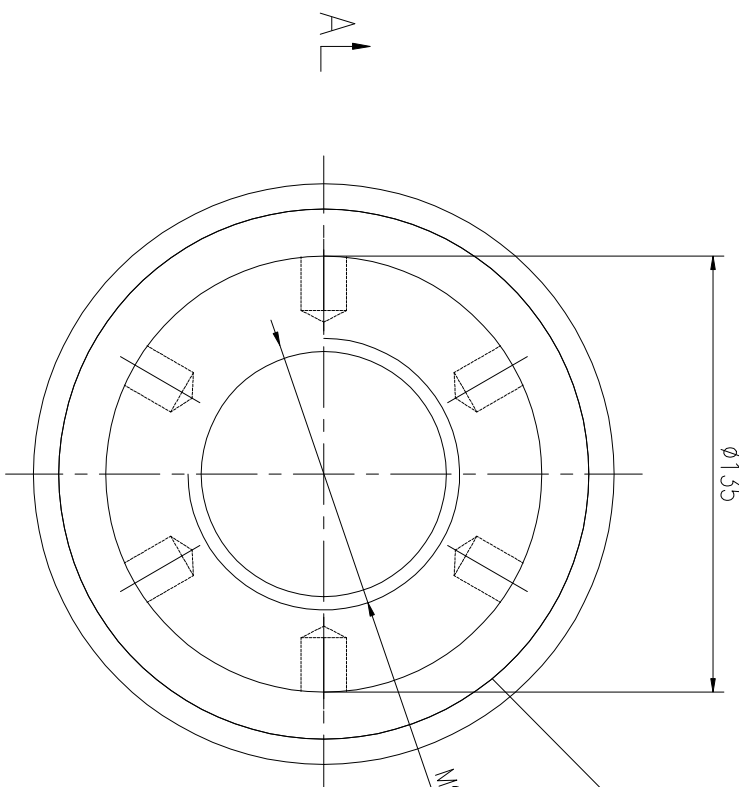
1-6 Ø1	-6-30 Ø2	-30-120 Ø3	120-400 Ø4	400-1000 Ø8
--------	----------	------------	------------	-------------

Unmarked tolerances shall be implemented in accordance with ISO 2768-mk.

REV	DESCRIPTION	DWG CHECK	APPR BY	APPR DATE

A-A

Logo
 PSN:model
 SW:**
 NO:drawing number
 MAX:max preload



DWG NO. FN9061H SHEET: 1:1

MAX PRELOAD CAPACITY	4200 KN
LUBRICANT	G-N PLUS
TEMPERATURE RATING	-25 C~250 C

PART	DWG NO.	QTY	DESCRIPTION	MATERIAL	WEIGHT(kg)
1	FN9061H-1	1	Nut M90X6	CNMMo	6.04
2	FN9061H-3	1	Gasket 160X92X10	CNMMo	1.08

During on-site installation, please adjust the torque in conjunction with the bolt stretching distance. Without our authorization, the drawings shall not be shared with any third party, and we reserve the right to pursue legal liability against those who disclose the drawings to external parties.

上海康普曼传动机械有限公司
 KPM Power Transmission (Shanghai) Co.,Ltd
 +86 021-61301856
 Liang.Guo@kpmdrive.com.cn

DESIGNED: DATE: 2025.12.01
 REVIEWED: DATE: 2025.12.01
 DRAWN: DATE: 2025.12.01

DWG NO: FN9061H SHEET: 1:1

WEIGHT: 7.1kg
 STATE: PRELIMINARY APPROVED