

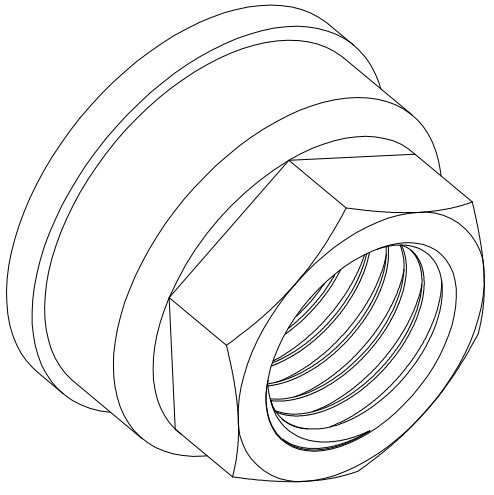
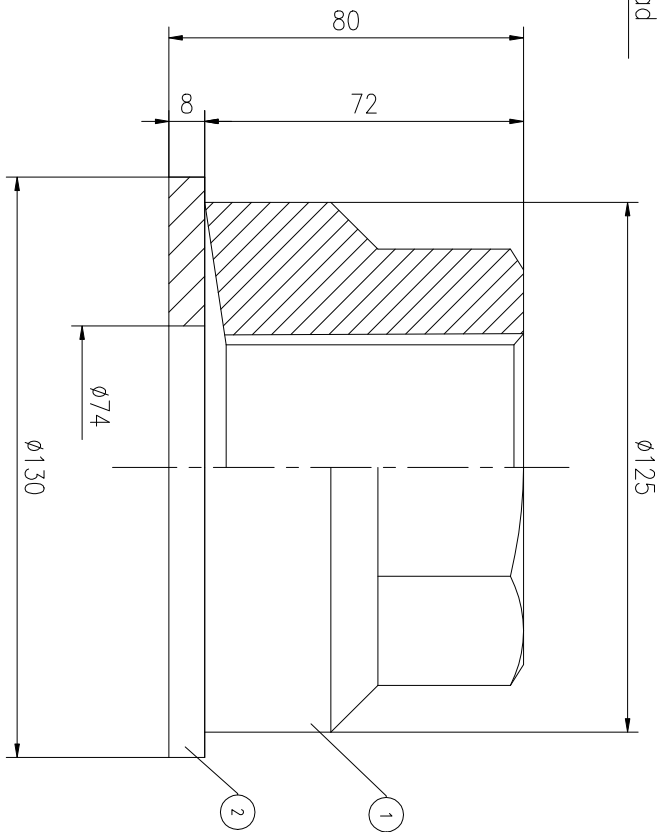
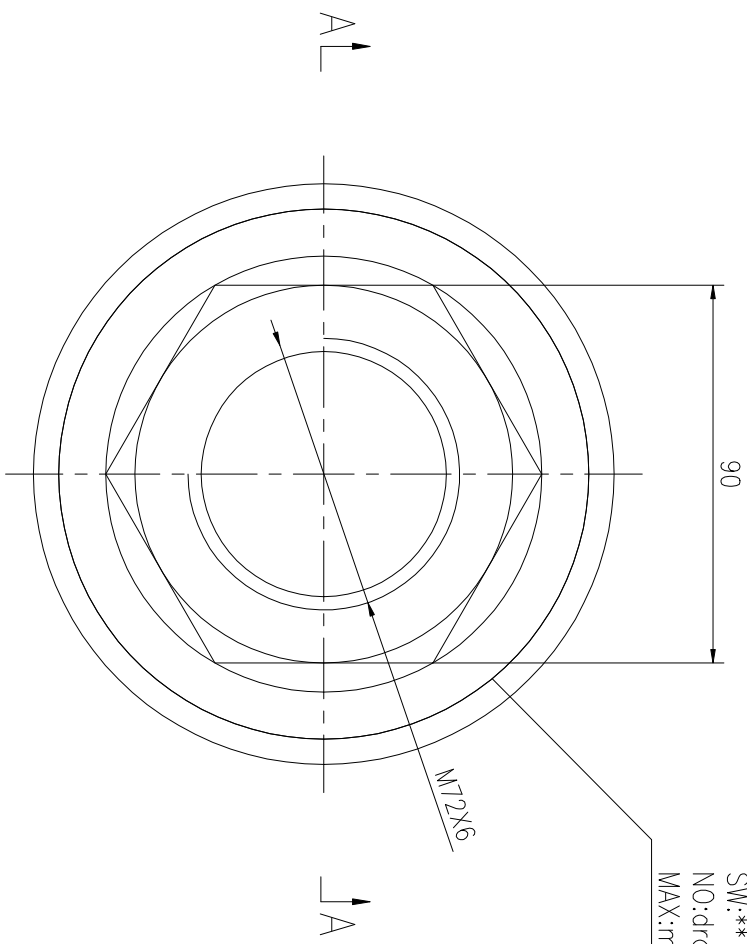
1-6 Ø1	>6-30 Ø2	>30-120 Ø3	>120-400 Ø4	>400-1000 Ø8
--------	----------	------------	-------------	--------------

REV	DESCRIPTION	DWG CHECK	APPR BY	APPR DATE

REVISION HISTORY

A-A

Logo  
 PSN:model  
 SW:\*\*  
 NO:drawing number  
 MAX:max preload



DWG NO. FN7261H SHEET: 1:1

MAX PRELOAD CAPACITY	2530 KN
LUBRICANT	G-N PLUS
TEMPERATURE RATING	-25 C~250 C

DESIGNED: DATE: 2025.12.01	FNH-72X6	DWG NO: FN7261H	SHEET: 1:1
REVIEWED: DATE: 2025.12.01			
DRAWN: DATE:			

上海康普曼传动机械有限公司  
 KPM Power Transmission (Shanghai) Co.,Ltd  
 +86 021-61301856  
 Liang.Guo@kpmdrive.com.cn

PARTS LIST					
PART	DWG NO.	QTY	DESCRIPTION	MATERIAL	WEIGHT(kg)
1	FN7261H-1	1	Nut M72X6	CNMMo	2.59
2	FN7261H-3	1	Gasket 130X74X8	CNMMo	0.56

During on-site installation, please adjust the torque in conjunction with the bolt stretching distance. Without our authorization, the drawings shall not be shared with any third party, and we reserve the right to pursue legal liability against those who disclose the drawings to external parties.

WEIGHT: 3.15kg  
 STATE: PRELIMINARY APPROVED