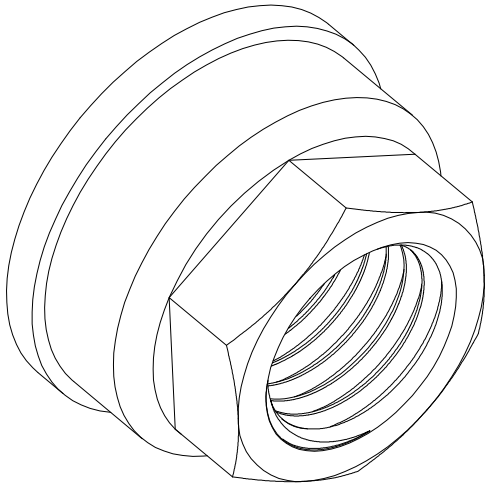
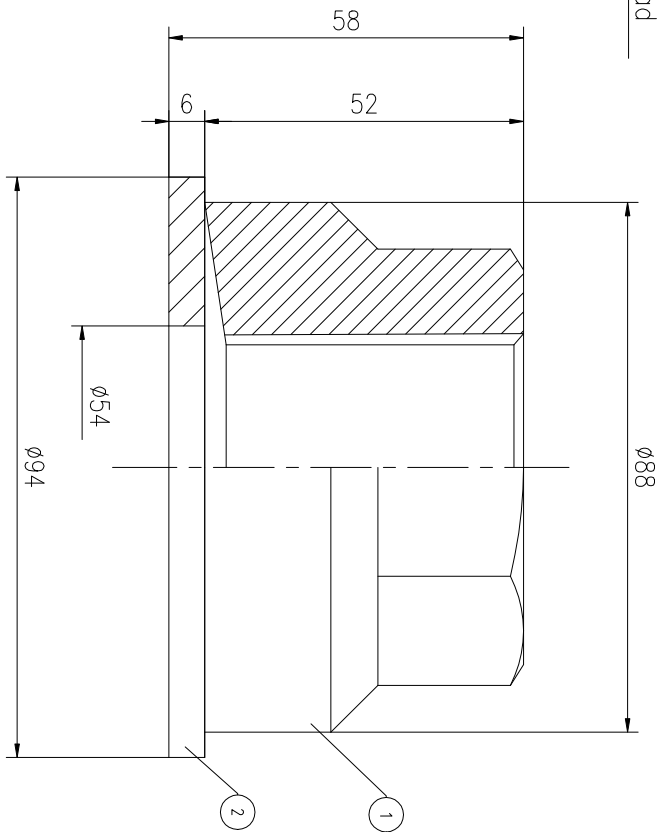
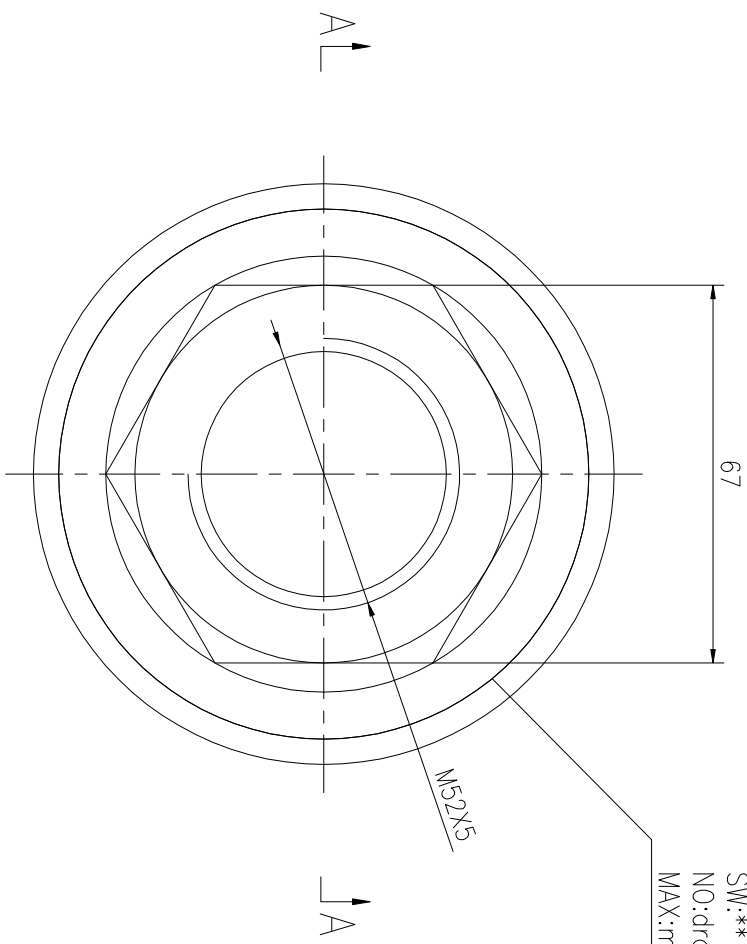


REV	DESCRIPTION	DWG CHECK	APPR BY	APPR DATE

A-A

Logo
 PSN:model
 SW:**
 NO:drawing number
 MAX:max preload



MAX PRELOAD CAPACITY	1400 KN
LUBRICANT	G-N PLUS
TEMPERATURE RATING	-25 C~250 C

DESIGNED: DATE: 2025.12.01	FNH-52X5	DWC NO: FN5251H	SHEET: 1:1
REVIEWED: DATE: 2025.12.01			
DRAWN: DATE:		PRELIMINARY APPROVED	

PART	DWG NO.	QTY	DESCRIPTION	MATERIAL	WEIGHT(kg)
1	FN5251H-1	1	Nut M52X5	CNMMo	1.03
2	FN5251H-3	1	Gasket 94X54X6	CNMMo	0.22

During on-site installation, please adjust the torque in conjunction with the bolt stretching distance. Without our authorization, the drawings shall not be shared with any third party, and we reserve the right to pursue legal liability against those who disclose the drawings to external parties.

上海康普曼传动机械有限公司
 KPM Power Transmission (Shanghai) Co.,Ltd
 +86 021-61301856
 Liang.Guo@kpmdrive.com.cn