

1-6 Ø1	>6-30 Ø2	>30-120 Ø3	>120-400 Ø4	>400-1000 Ø8
--------	----------	------------	-------------	--------------

Unmarked tolerances shall be implemented in accordance with ISO 2768-mk.

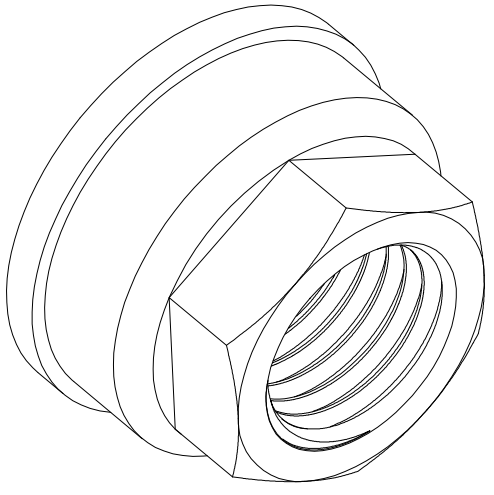
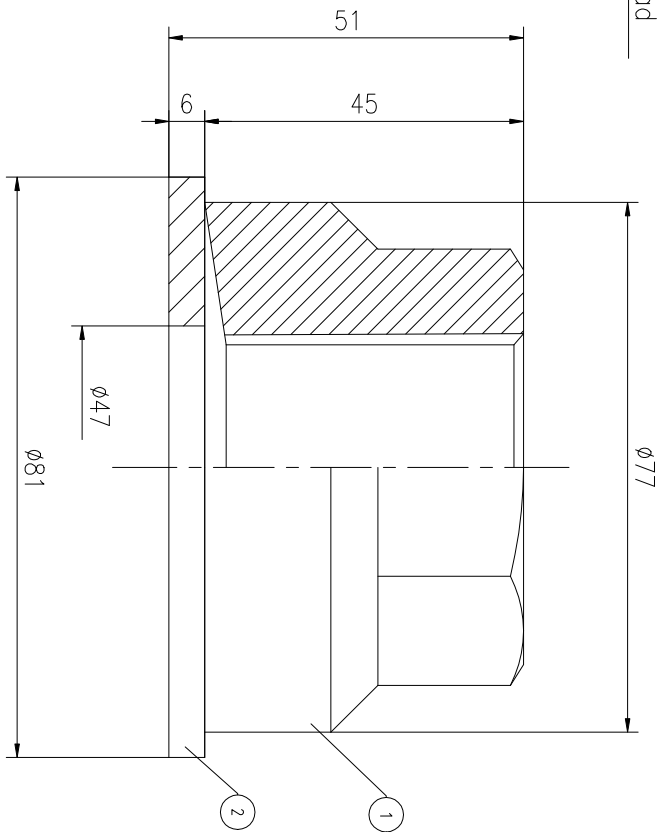
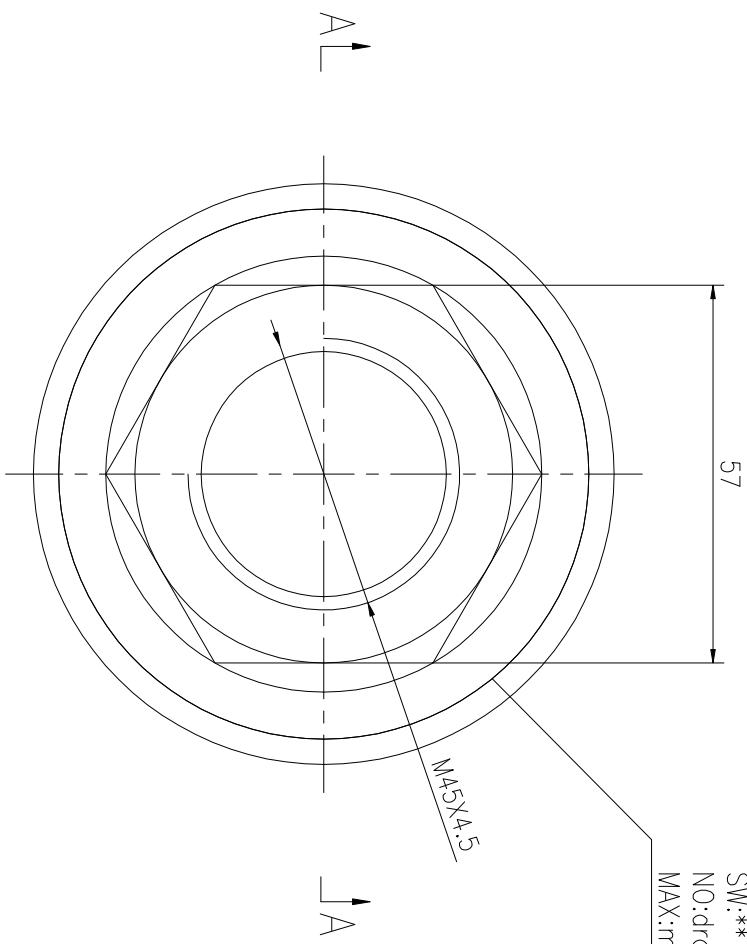
REV	DESCRIPTION	DWG CHECK	APPR BY	APPR DATE

REVISION HISTORY

A-A

Logo  
PSN:model  
SW:\*\*

NO:drawing number  
MAX:max preload



DWG NO. FN454.51H  
SHEET: 1:1

MAX PRELOAD CAPACITY	1170 KN
LUBRICANT	G-N PLUS
TEMPERATURE RATING	-25 C~250 C

PART	DWG NO.	QTY	DESCRIPTION	MATERIAL	WEIGHT(kg)
1	FN454.51H-1	1	Nut M45X4.5	CNMMo	0.69
2	FN454.51H-3	1	Gasket 81X47X6	CNMMo	0.16

During on-site installation, please adjust the torque in conjunction with the bolt stretching distance. Without our authorization, the drawings shall not be shared with any third party, and we reserve the right to pursue legal liability against those who disclose the drawings to external parties.

上海康普曼传动机械有限公司  
KPM Power Transmission (Shanghai) Co.,Ltd  
+86 021-61301856  
Liang.Guo@kpmdrive.com.cn

DESIGNED: DATE: 2025.12.01  
REVIEWED: DATE: 2025.12.01  
DRAWN: DATE:

DWG NO.: FN454.51H  
SHEET: 1:1

WEIGHT: 0.85kg  
STATE: PRELIMINARY APPROVED