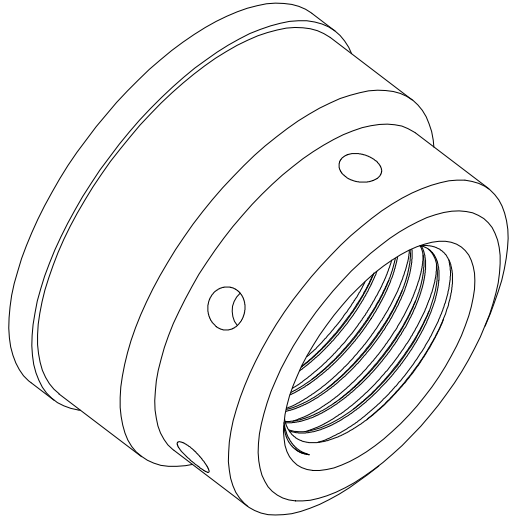
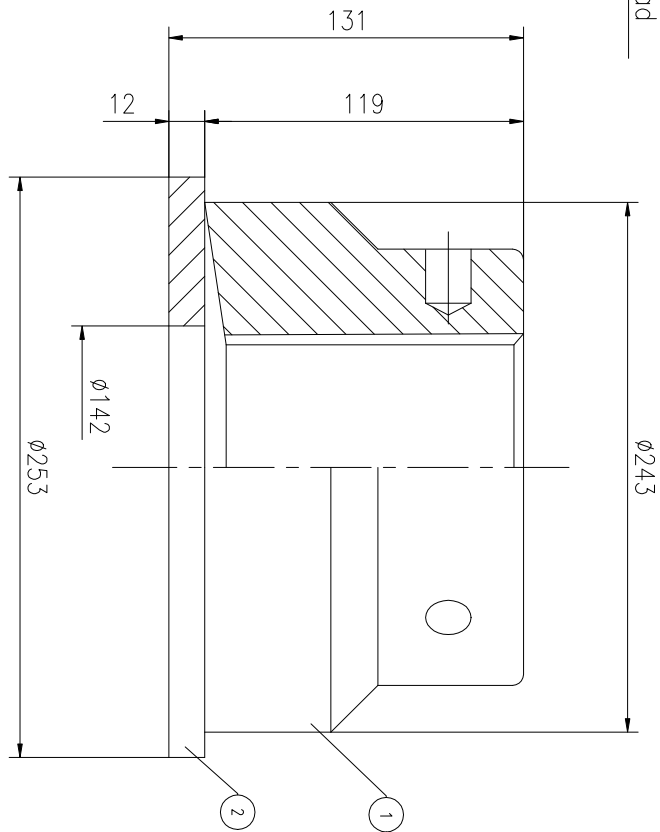
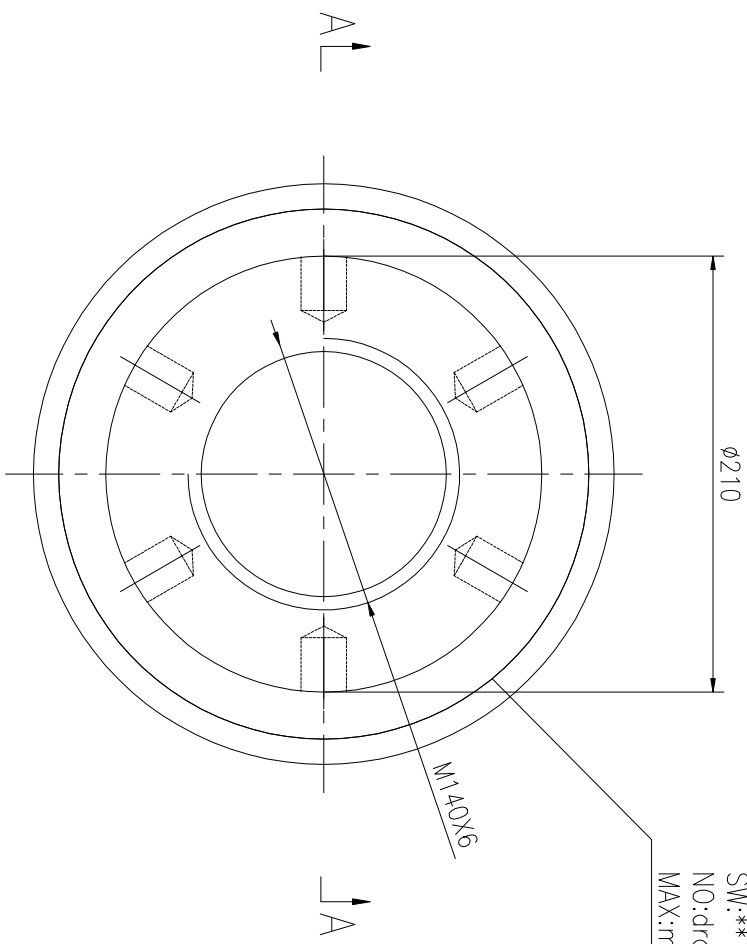


| REV | DESCRIPTION | DWG CHECK | APPR BY | APPR DATE |
|-----|-------------|-----------|---------|-----------|
| | | | | |

A-A

Logo
 PSN:model
 SW:**
 NO:drawing number
 MAX:max preload



| PART | DWG NO. | QTY | DESCRIPTION | MATERIAL | WEIGHT(kg) |
|------|------------|-----|-------------------|----------|------------|
| 1 | FN14061H-1 | 1 | Nut M140X6 | CNMMo | 23.01 |
| 2 | FN14061H-3 | 1 | Gasket 253X142X12 | CNMMo | 3.24 |

During on-site installation, please adjust the torque in conjunction with the bolt stretching distance. Without our authorization, the drawings shall not be shared with any third party, and we reserve the right to pursue legal liability against those who disclose the drawings to external parties.

上海康普曼传动机械有限公司
 KPM Power Transmission (Shanghai) Co.,Ltd
 +86 021-61301856
 Liang.Guo@kpmdrive.com.cn

| | | | | | | | | | |
|----------------------|-------------|-----------|-------|------------|-----------|---------|----------|--------|----------------------|
| MAX PRELOAD CAPACITY | 7700 KN | DESIGNED: | DATE: | 2025.12.01 | FNH-140X6 | DWG NO: | FN14061H | SHEET: | 1:1 |
| LUBRICANT | G-N PLUS | REVIEWED: | DATE: | 2025.12.01 | | | | | |
| TEMPERATURE RATING | -25 C~250 C | DRAWN: | DATE: | | | | | | PRELIMINARY APPROVED |