

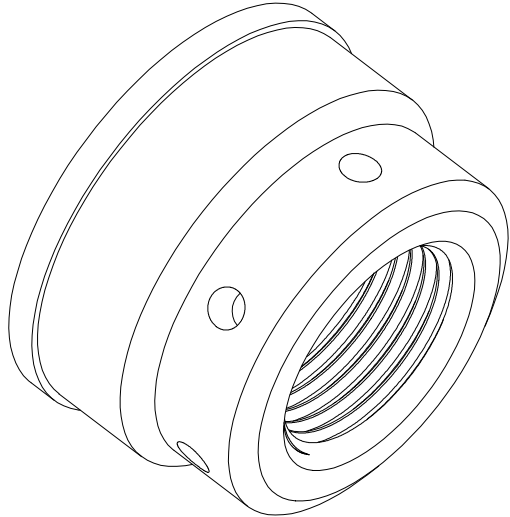
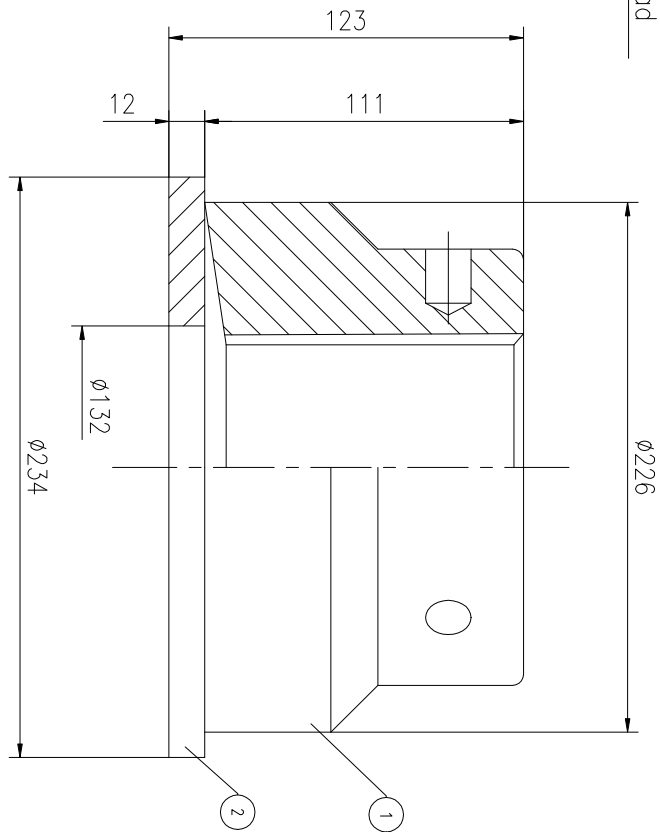
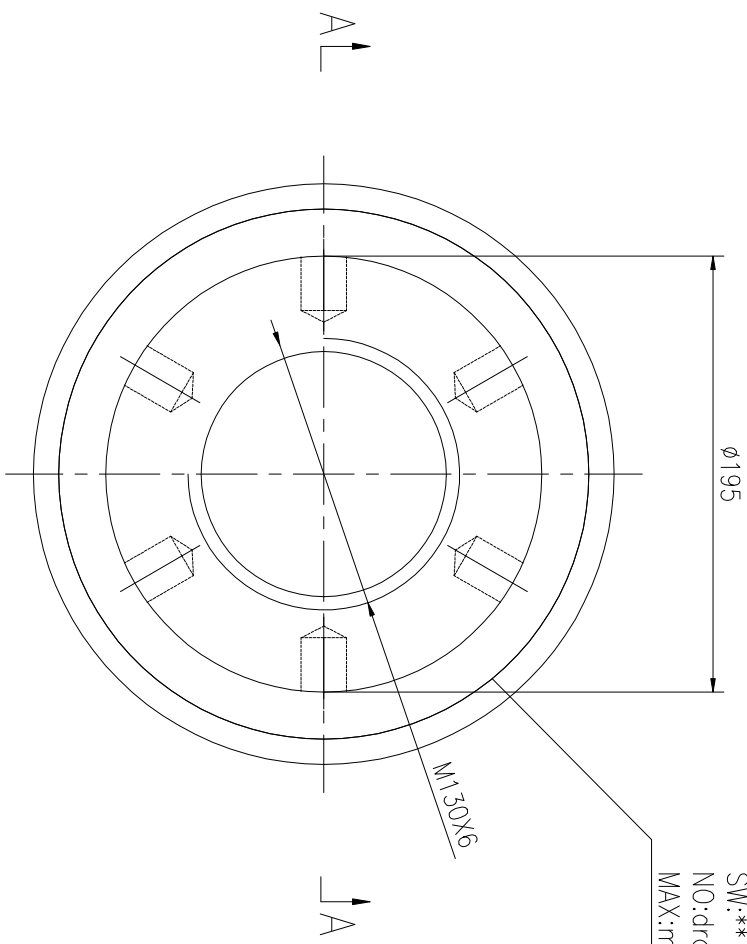
1-6 Ø1	>6-30 Ø2	>30-120 Ø3	>120-400 Ø4	>400-1000 Ø8
--------	----------	------------	-------------	--------------

Unmarked tolerances shall be implemented in accordance with ISO 2768-mk.

REV	DESCRIPTION	DWG CHECK	APPR BY	APPR DATE

A-A

Logo
 PSN:model
 SW:**
 NO:drawing number
 MAX:max preload



DWG NO. FN13061H SHEET: 1:1

MAX PRELOAD CAPACITY	7000 KN
LUBRICANT	G-N PLUS
TEMPERATURE RATING	-25 C~250 C

PART	DWG NO.	QTY	DESCRIPTION	MATERIAL	WEIGHT(kg)
1	FN13061H-1	1	Nut M130X6	CNMMo	18.49
2	FN13061H-3	1	Washer 234X132X12	CNMMo	2.76

During on-site installation, please adjust the torque in conjunction with the bolt stretching distance. Without our authorization, the drawings shall not be shared with any third party, and we reserve the right to pursue legal liability against those who disclose the drawings to external parties.

上海康普曼传动机械有限公司
 KPM Power Transmission (Shanghai) Co.,Ltd
 +86 021-61301856
 Liang.Guo@kpmdrive.com.cn

DESIGNED: DATE: 2025.12.01
 REVIEWED: DATE: 2025.12.01
 DRAWN: DATE:

DWG NO.: FN13061H SHEET: 1:1

WEIGHT: 21.25kg
 STATE: PRELIMINARY APPROVED