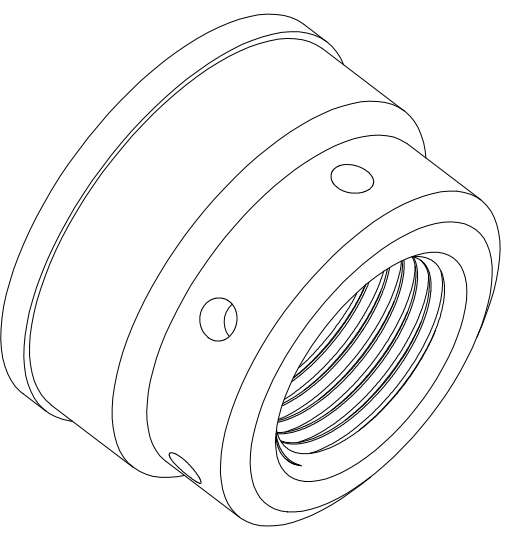
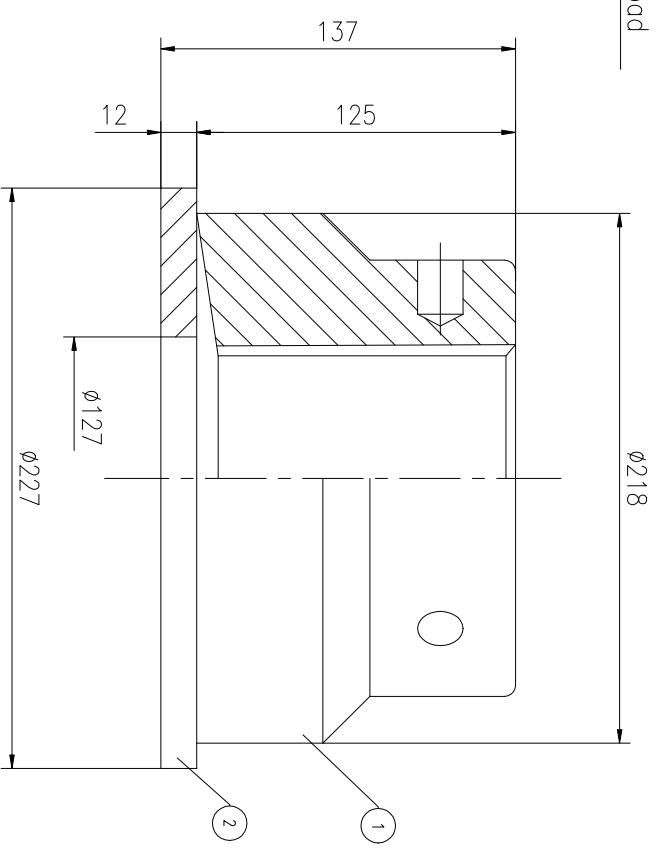
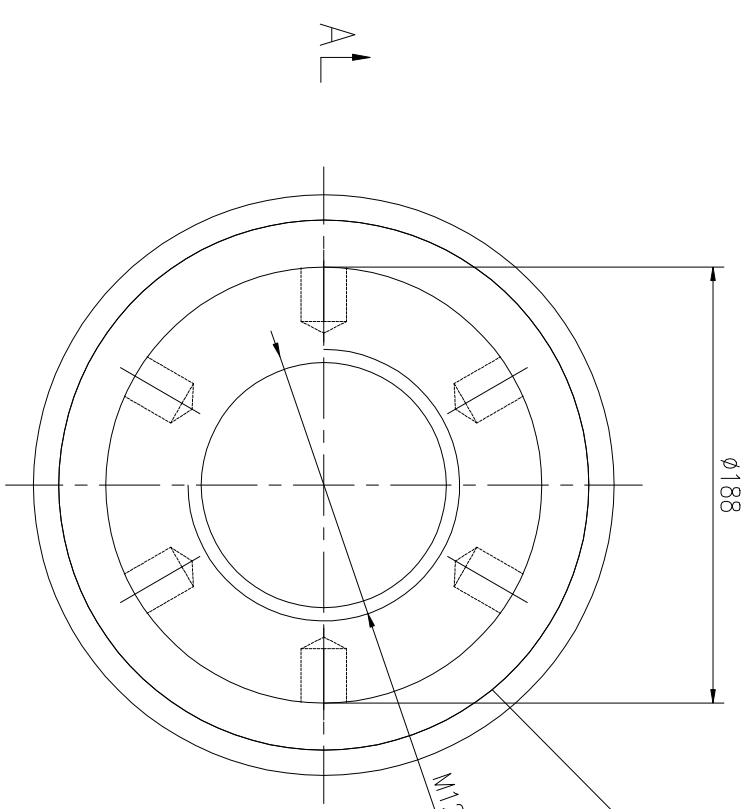


REV	DESCRIPTION	DWG CHECK	APPR BY	APPR DATE

REVISION HISTORY

A-A

Logo  
 PSN:model  
 SW:\*\*  
 NO:drawing number  
 MAX:max preload



MAX PRELOAD CAPACITY	6300 KN
LUBRICANT	G-N PLUS
TEMPERATURE RATING	-25 C~250 C

DESIGNED: DATE: 2025.12.01	FNH-125X6	DWG NO: FN12561H	SHEET: 1:1
REVIEWED: DATE: 2025.12.01			
DRAWN: DATE:			

上海康普曼传动机械有限公司  
 KPM Power Transmission (Shanghai) Co.,Ltd  
 +86 021-61301856  
 Liang.Guo@kpmdrive.com.cn

PART	DWG NO.	QTY	DESCRIPTION	MATERIAL	WEIGHT(kg)
1	FN12561H-1	1	Nut M125X6	CNMMo	16.88
2	FN12561H-3	1	Gasket 227X127X12	CNNMo	2.62

During on-site installation, please adjust the torque in conjunction with the bolt stretching distance. Without our authorization, the drawings shall not be shared with any third party, and we reserve the right to pursue legal liability against those who disclose the drawings to external parties.

PARTS LIST

WEIGHT: 19.5kg  
 STATE: PRELIMINARY APPROVED