

1-6 Ø1	-6-30 Ø2	30-120 Ø3	120-400 Ø4	400-1000 Ø8
--------	----------	-----------	------------	-------------

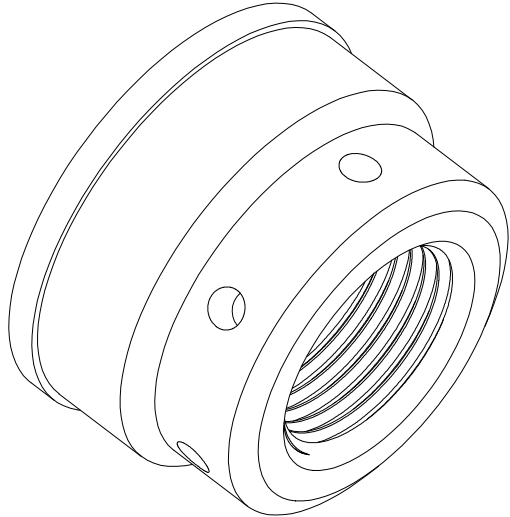
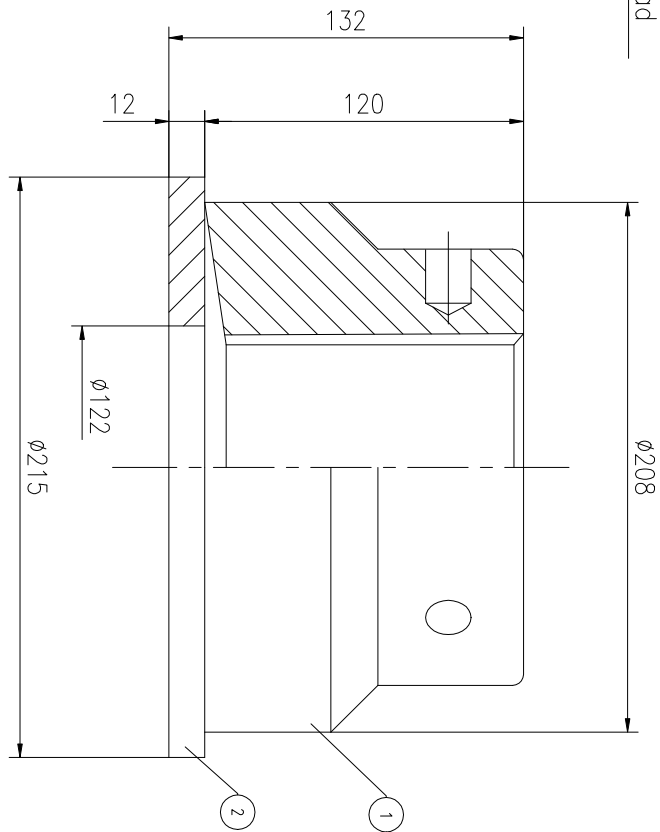
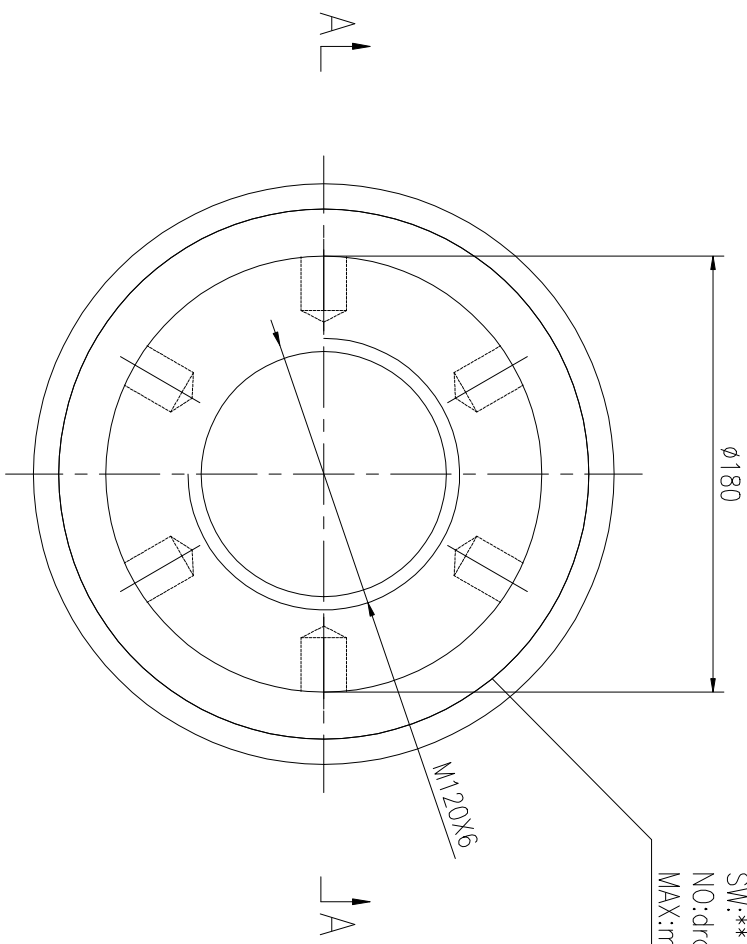
Unmarked tolerances shall be implemented in accordance with ISO 2768-mk.

REV	DESCRIPTION	DWG CHECK	APPR BY	APPR DATE

REVISION HISTORY

A-A

Logo
 PSN:model
 SW:**
 NO:drawing number
 MAX:max preload



PARTS LIST		MATERIAL	WEIGHT(kg)		
PART	DWG NO.	QTY	DESCRIPTION	MATERIAL	WEIGHT(kg)
1	FN12061H-1	1	Nut M120X6	CNMMo	14.43
2	FN12061H-3	1	Gasket 215X122X12	CNMMo	2.32

During on-site installation, please adjust the torque in conjunction with the bolt stretching distance. Without our authorization, the drawings shall not be shared with any third party, and we reserve the right to pursue legal liability against those who disclose the drawings to external parties.

上海康普曼传动机械有限公司

+86 021-61301856

KPM Power Transmission (Shanghai) Co.,Ltd

Liang.Guo@kpmdrive.com.cn

DESIGNED:	DATE:	2025.12.01	FNH-120X6	DWG NO:	FN12061H	SHEET:	1:1
REVIEWED:	DATE:	2025.12.01					
MAX PRELOAD CAPACITY	6300 KN	G-N PLUS	TEMPERATURE RATING	-25 C~250 C			
LUBRICANT							