

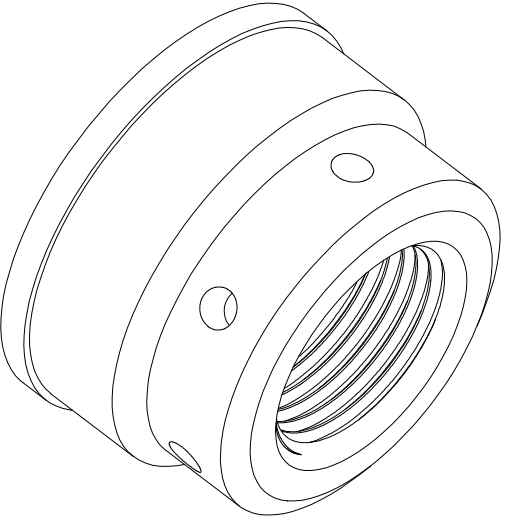
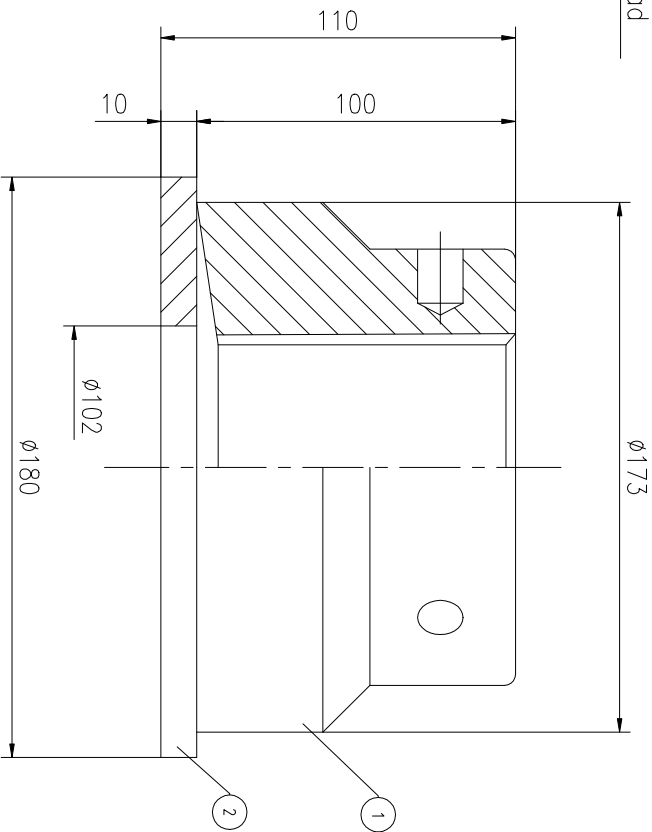
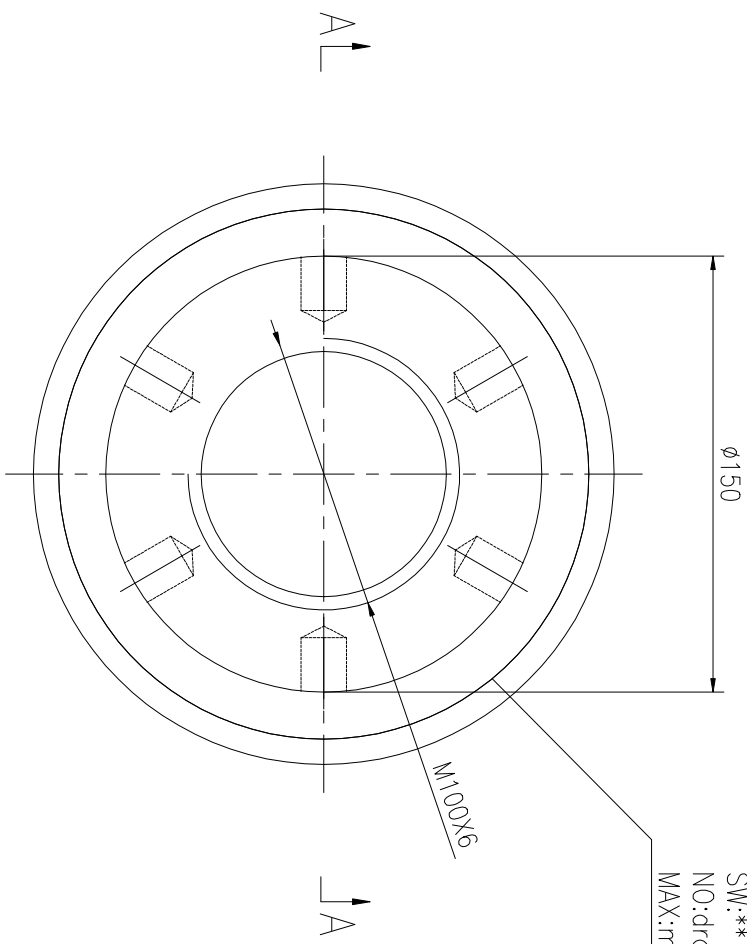
REV	DESCRIPTION	DWG CHECK	APPR BY	APPR DATE

REVISION HISTORY

A-A

Logo
 PSN:model
 SW:**

NO:drawing number
 MAX:max preload



PART	DWG NO.	QTY	DESCRIPTION	MATERIAL	WEIGHT(kg)
1	FN10061H-1	1	Nut M100X6	CNMMo	8.34
2	FN10061H-3	1	Gasket 180X102X10	CNMMo	1.36

During on-site installation, please adjust the torque in conjunction with the bolt stretching distance. Without our authorization, the drawings shall not be shared with any third party, and we reserve the right to pursue legal liability against those who disclose the drawings to external parties.

上海康普曼传动机械有限公司

+86 021-61301856

KPM Power Transmission (Shanghai) Co.,Ltd

Liang.Guo@kpmdrive.com.cn

DESIGNED: 2025.12.01	DATE: 2025.12.01	FNH-100X6	DWG NO: FN10061H	SHEET: 1:1	WEIGHT: 9.7kg
REVIEWED: 2025.12.01	DATE: 2025.12.01				STATE: PRELIMINARY APPROVED
MAX PRELOAD CAPACITY: 4900 KN	G-N PLUS				
LUBRICANT					
TEMPERATURE RATING: -25 C~250 C					