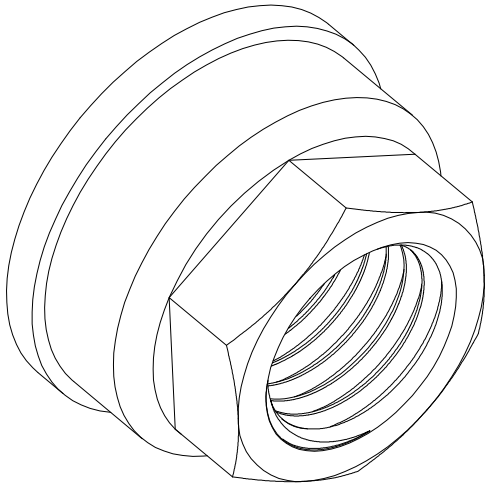
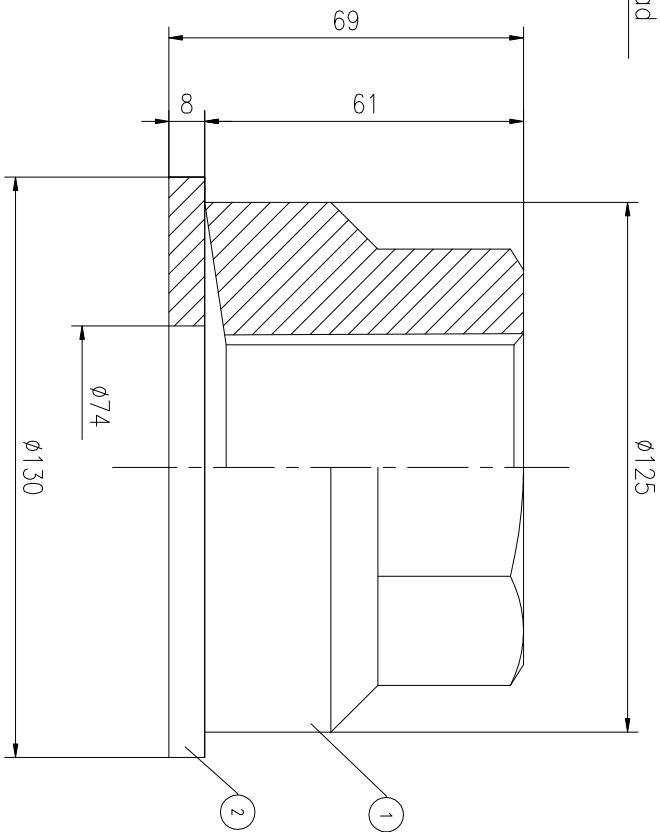
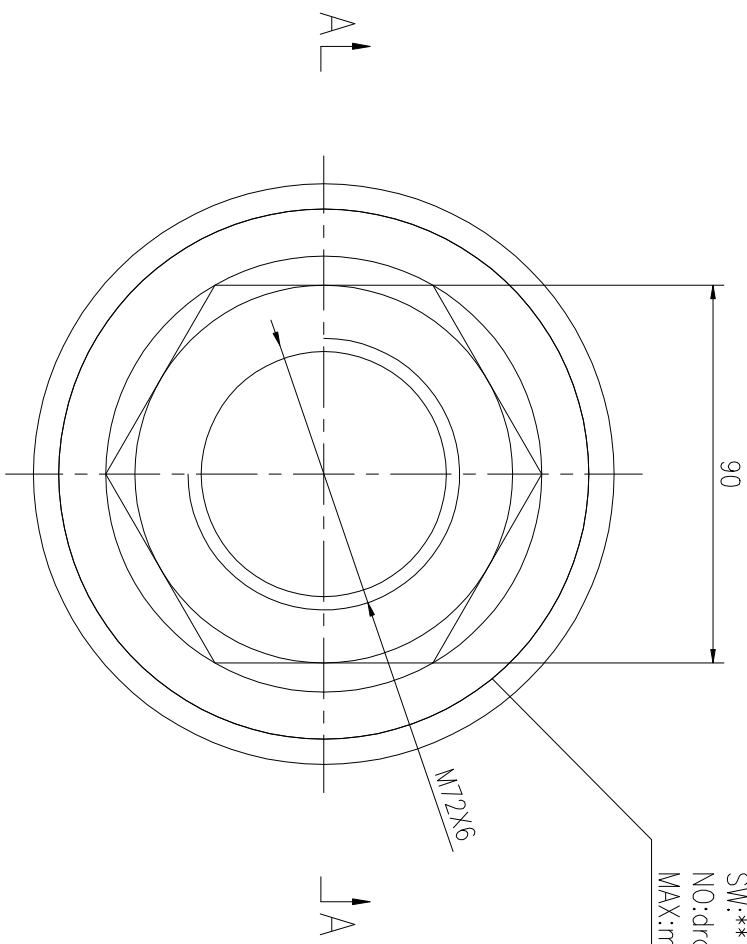


1-6	Ø1	>6-30	Ø2	>30-120	Ø3	>120-400	Ø45	>400-1000	Ø8
-----	----	-------	----	---------	----	----------	-----	-----------	----

REV	DESCRIPTION	DWG CHECK	APPR BY	APPR DATE

A-A

Logo  
 PSN:model  
 SW:\*\*  
 NO:drawing number  
 MAX:max preload



DWG NO. FN7261M SHEET: 1:1

MAX PRELOAD CAPACITY	1690KN
LUBRICANT	G-N PLUS
TEMPERATURE RATING	-25 C~250 C

DESIGNED: DATE: 2025.12.01	FNM-72X6	DWG NO: FN7261M	SHEET: 1:1
REVIEWED: DATE: 2025.12.01			
DRAWN: DATE:			

PARTS LIST				MATERIAL	WEIGHT(kg)
PART	DWG NO.	QTY	DESCRIPTION	CNNM0	2.59
1	FN7261M-1	1	Nut M72X6	CNNM0	2.59
2	FN7261M-3	1	Gasket 130X74X8	CNNM0	0.56

During on-site installation, please adjust the torque in conjunction with the bolt stretching distance. Without our authorization, the drawings shall not be shared with any third party, and we reserve the right to pursue legal liability against those who disclose the drawings to external parties.

上海康普曼传动机械有限公司  
 KPM Power Transmission (Shanghai) Co.,Ltd  
 +86 021-61301856  
 Liang.Guo@kpmdrive.com.cn

WEIGHT: 3.15kg  
 STATE: PRELIMINARY APPROVED