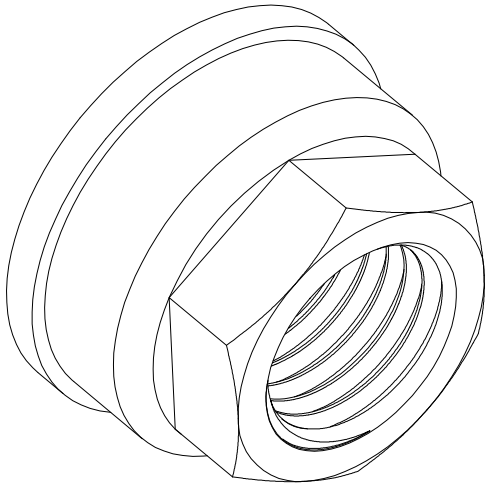
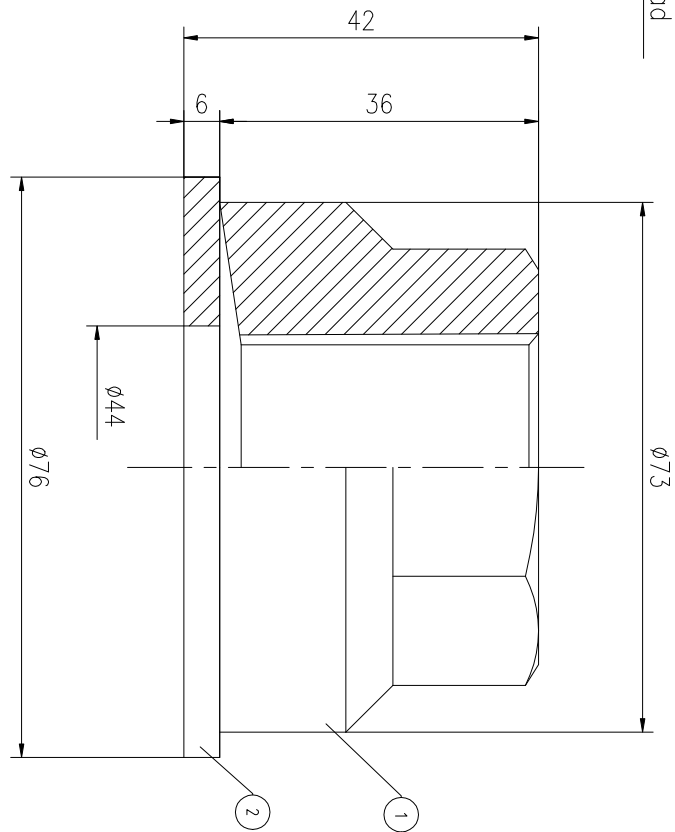
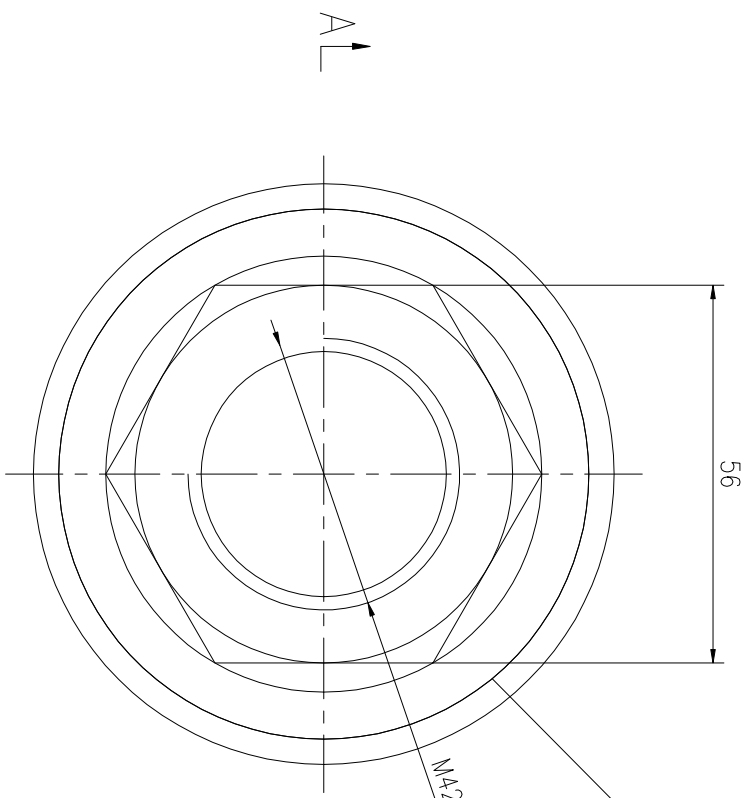


REVISION HISTORY				
REV	DESCRIPTION	DWG CHECK	APPR BY	APPR DATE
1				

A-A

Logo  
 PSN:model  
 SW:\*\*  
 NO:drawing number  
 MAX:max preload



MAX PRELOAD CAPACITY	610KN
LUBRICANT	G-N PLUS
TEMPERATURE RATING	-25 C~250 C

PARTS LIST					
PART	DWG NO.	QTY	DESCRIPTION	MATERIAL	WEIGHT(kg)
1	FN424.51M-1	1	Nut M42X4.5	CNMMo	0.61
2	FN424.51M-3	1	Gasket 76X44X6	CNMMo	0.14

During on-site installation, please adjust the torque in conjunction with the bolt stretching distance. Without our authorization, the drawings shall not be shared with any third party, and we reserve the right to pursue legal liability against those who disclose the drawings to external parties.

上海康普曼传动机械有限公司    +86 021-61301856  
 KPM Power Transmission (Shanghai) Co.,Ltd    Liang.Guo@kpmdrive.com.cn

DESIGNED: DATE: 2025.12.01  
 REVIEWED: DATE: 2025.12.01  
 DRAWN: DATE: \_\_\_\_\_

DWG NO.: FN424.51M    SHEET: 1:1

WEIGHT: 0.75kg  
 STATE: PRELIMINARY APPROVED