

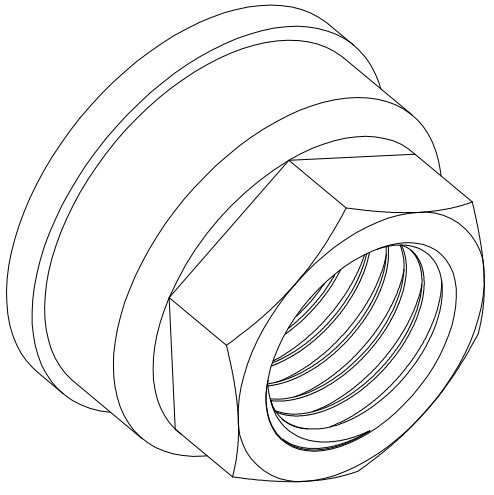
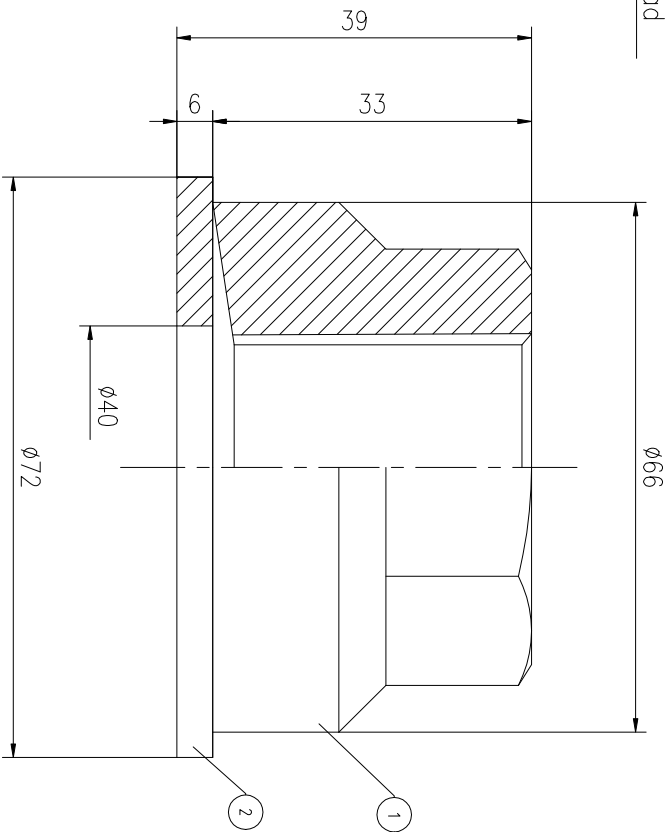
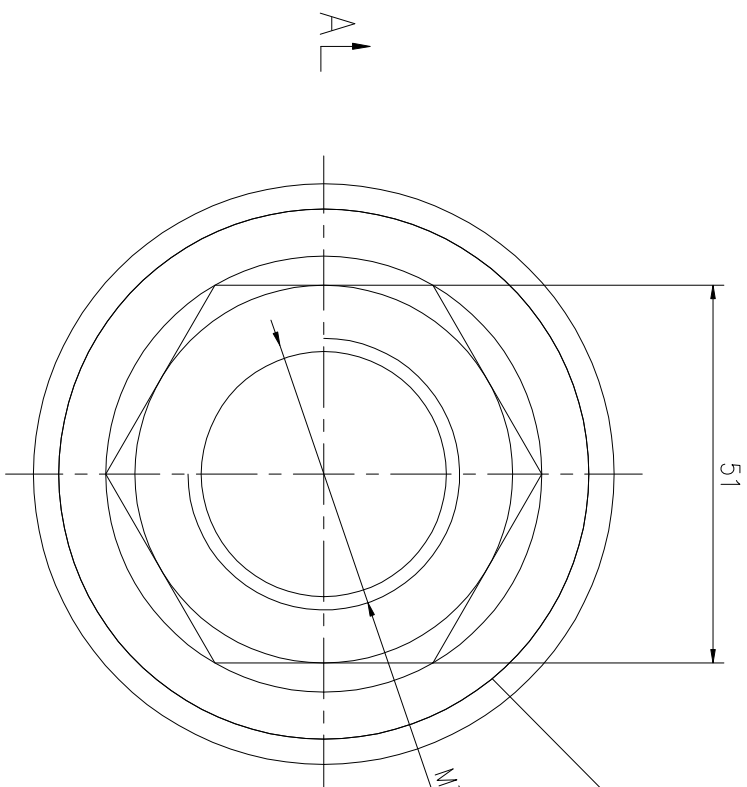
1-6 Ø1	>6-30 Ø2	>30-120 Ø3	>120-400 Ø4	>400-1000 Ø8
--------	----------	------------	-------------	--------------

REV	DESCRIPTION	DWG CHECK	APPR BY	APPR DATE

REVISION HISTORY

A-A

Logo  
 PSN:model  
 SW:\*\*  
 NO:drawing number  
 MAX:max preload



DWG NO. FN3941M SHEET: 1:1

MAX PRELOAD CAPACITY	610KN
LUBRICANT	G-N PLUS
TEMPERATURE RATING	-25 C~250 C

PART	DWG NO.	QTY	DESCRIPTION	MATERIAL	WEIGHT(kg)
1	FN3941M-1	1	Nut M39X4	CNMMo	0.47
2	FN3941M-3	1	Gasket 72X40X6	CNMMo	0.13

During on-site installation, please adjust the torque in conjunction with the bolt stretching distance. Without our authorization, the drawings shall not be shared with any third party, and we reserve the right to pursue legal liability against those who disclose the drawings to external parties.

上海康普曼传动机械有限公司  
 KPM Power Transmission (Shanghai) Co.,Ltd  
 +86 021-61301856  
 Liang.Guo@kpmdrive.com.cn

DESIGNED: 2025.12.01  
 REVIEWED: 2025.12.01  
 DRAWN: DATE: DWG NO.: FN3941M SHEET: 1:1

MAX PRELOAD CAPACITY: 610KN  
 LUBRICANT: G-N PLUS  
 TEMPERATURE RATING: -25 C~250 C

STATE: PRELIMINARY APPROVED