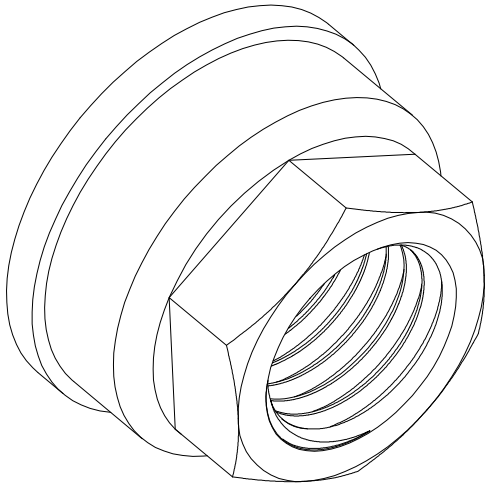
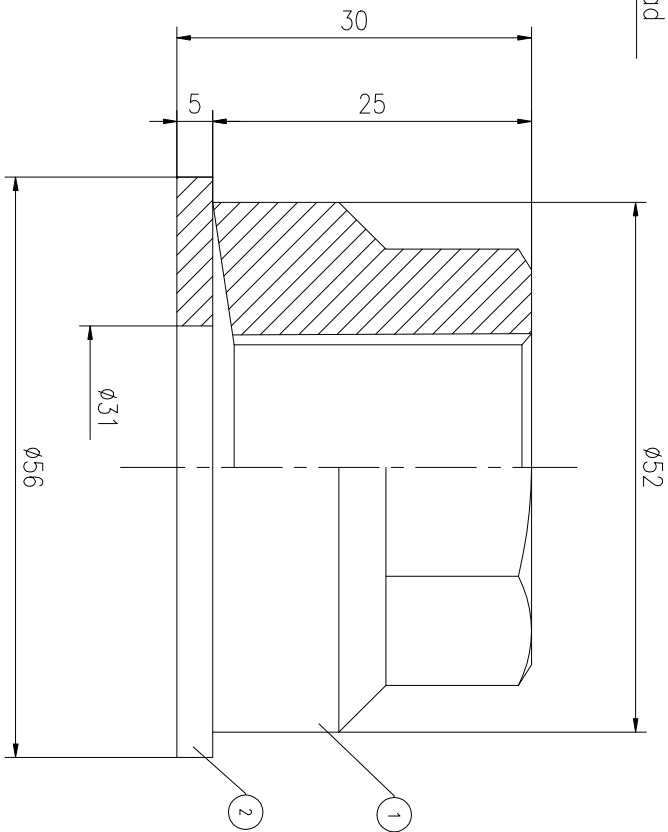
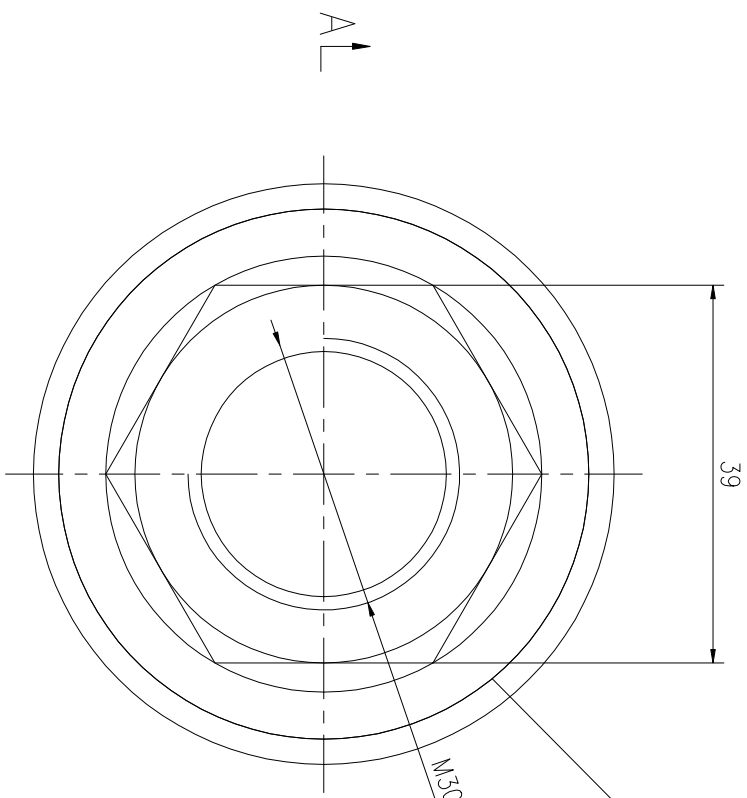


1-6 Ø1	>6-30 Ø2	>30-120 Ø3	>120-400 Ø4.5	>400-1000 Ø8
--------	----------	------------	---------------	--------------

REV	DESCRIPTION	DWG CHECK	APPR BY	APPR DATE

A-A

Logo
 PSN:model
 SW:**
 NO:drawing number
 MAX:max preload



DWG NO. FN303.51M SHEET: 1:1

MAX PRELOAD CAPACITY	286KN
LUBRICANT	G-N PLUS
TEMPERATURE RATING	-25 C~250 C

DESIGNED: DATE: 2025.12.01	FNM-30X3.5	DWG NO.: FN303.51M	SHEET: 1:1
REVIEWED: DATE: 2025.12.01			
DRAWN: DATE:			

上海康普曼传动机械有限公司
 KPM Power Transmission (Shanghai) Co.,Ltd
 +86 021-61301856
 Liang.Guo@kpmdrive.com.cn

PART	DWG NO.	QTY	DESCRIPTION	MATERIAL	WEIGHT(kg)
1	FN303.51M-1	1	Nut M30X3.5	CNMMo	0.18
2	FN303.51M-3	1	Gasket 56X31X5	CNMMo	0.07

During on-site installation, please adjust the torque in conjunction with the bolt stretching distance. Without our authorization, the drawings shall not be shared with any third party, and we reserve the right to pursue legal liability against those who disclose the drawings to external parties.

WEIGHT: 0.25kg
 STATE: PRELIMINARY APPROVED