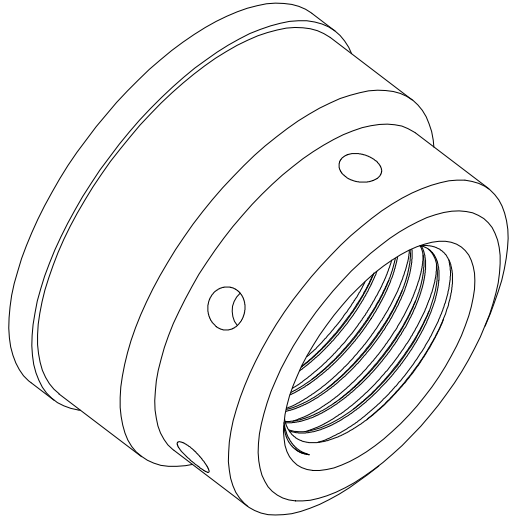
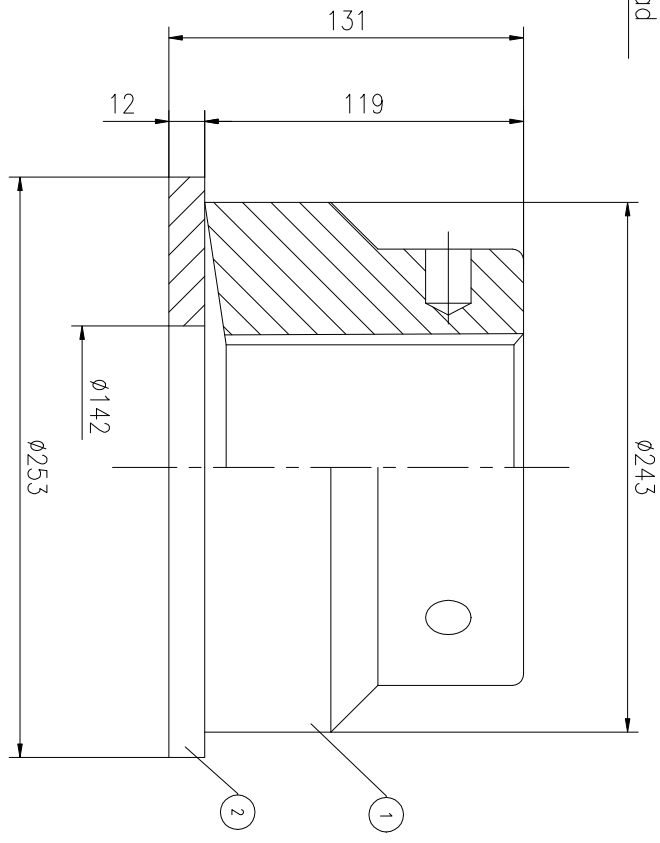
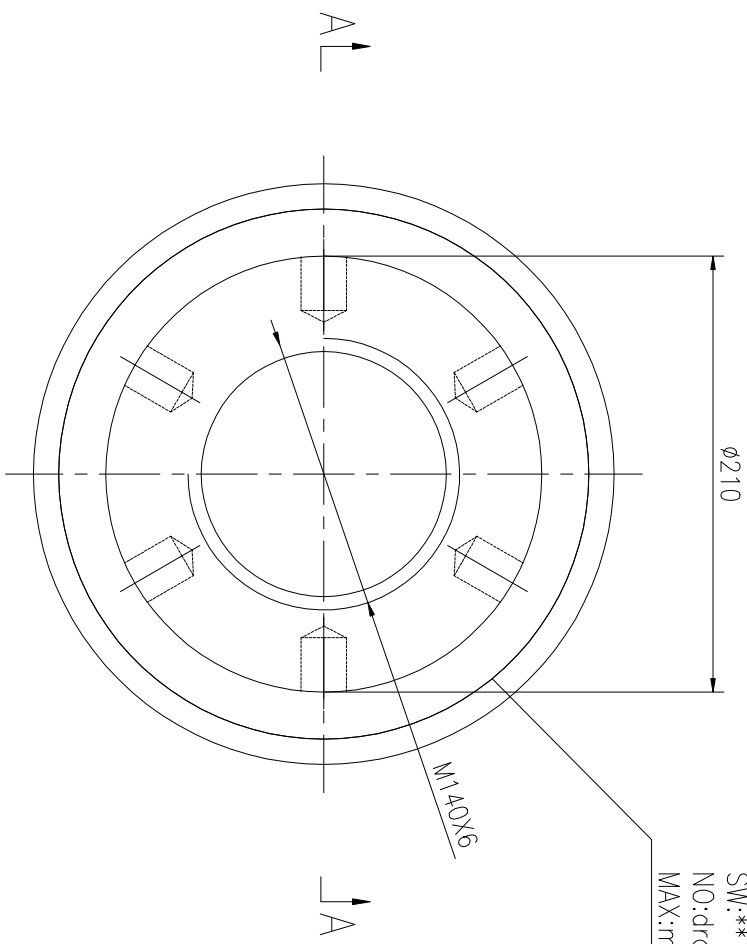


REV	DESCRIPTION	DWG CHECK	APPR BY	APPR DATE

A-A

Logo
 PSN:model
 SW:**
 NO:drawing number
 MAX:max preload



PART	DWG NO.	QTY	DESCRIPTION	MATERIAL	WEIGHT(kg)
1	FN14061M-1	1	Nut M140X6	CNMMo	23.01
2	FN14061M-3	1	Gasket 253X142X12	CNNMo	3.24

During on-site installation, please adjust the torque in conjunction with the bolt stretching distance. Without our authorization, the drawings shall not be shared with any third party, and we reserve the right to pursue legal liability against those who disclose the drawings to external parties.

上海康普曼传动机械有限公司
 +86 021-61301856

KPM Power Transmission (Shanghai) Co.,Ltd
 Liang.Guo@kpmdrive.com.cn

MAX PRELOAD CAPACITY	7000KN	DESIGNED:	DATE:	2025.12.01	FNM-140X6	SHEET:	1:1
LUBRICANT	G-N PLUS	REVIEWED:	DATE:	2025.12.01			
TEMPERATURE RATING	-25 C~250 C	DRAWN:	DATE:		DWG NO:	FN14061M	PRELIMINARY APPROVED