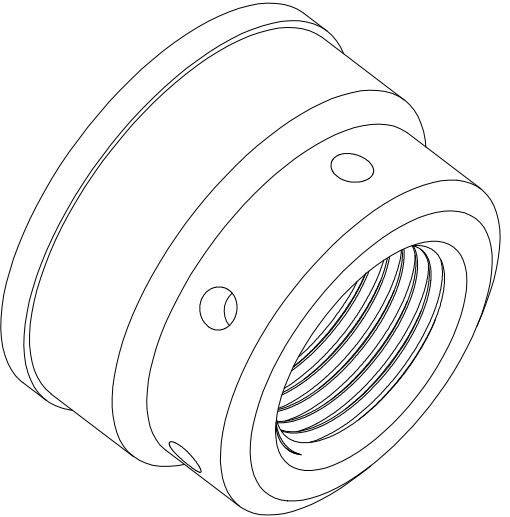
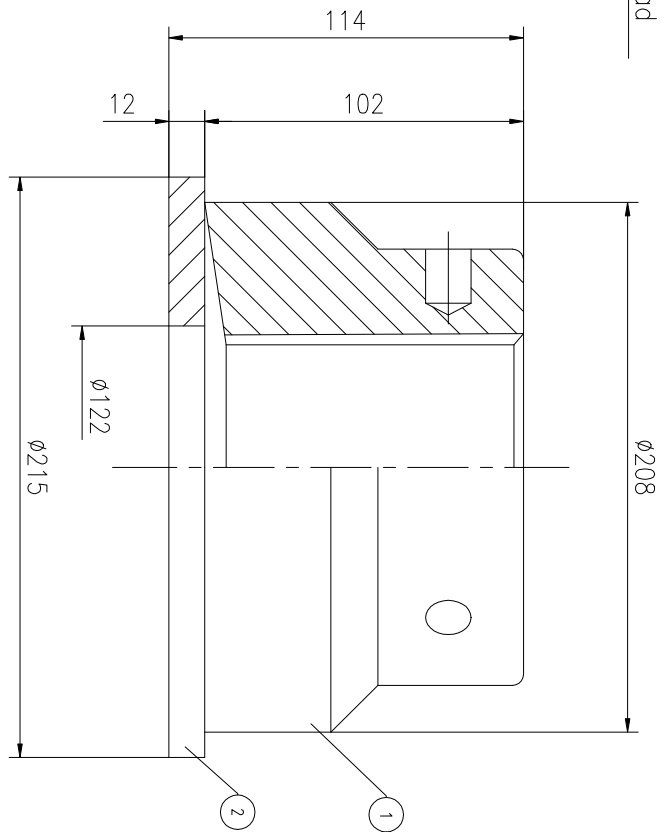
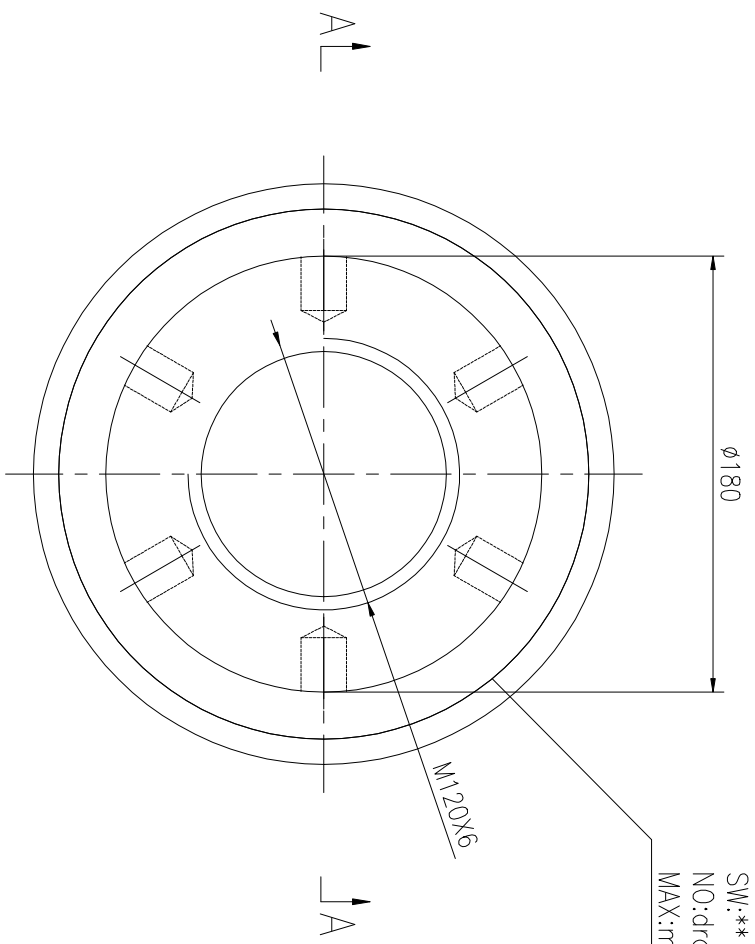


REV	DESCRIPTION	DWG CHECK	APPR BY	APPR DATE

REVISION HISTORY

A-A

Logo
 PSN:model
 SW:**
 NO:drawing number
 MAX:max preload



MAX PRELOAD CAPACITY	5600KN
LUBRICANT	G-N PLUS
TEMPERATURE RATING	-25 C~250 C

DESIGNED: DATE: 2025.12.01	FNM-120X6	DWG NO: FN12061M	SHEET: 1:1
REVIEWED: DATE: 2025.12.01			
DRAWN: DATE:			

上海康普曼传动机械有限公司
 KPM Power Transmission (Shanghai) Co.,Ltd
 +86 021-61301856
 Liang.Guo@kpmdrive.com.cn

PART	DWG NO.	QTY	DESCRIPTION	MATERIAL	WEIGHT(kg)
1	FN12061M-1	1	Nut M120X6	CNMMo	14.43
2	FN12061M-3	1	Gasket 215X122X12	CNMMo	2.32

During on-site installation, please adjust the torque in conjunction with the bolt stretching distance. Without our authorization, the drawings shall not be shared with any third party, and we reserve the right to pursue legal liability against those who disclose the drawings to external parties.

PARTS LIST

WEIGHT: 16.75kg
 STATE: PRELIMINARY APPROVED