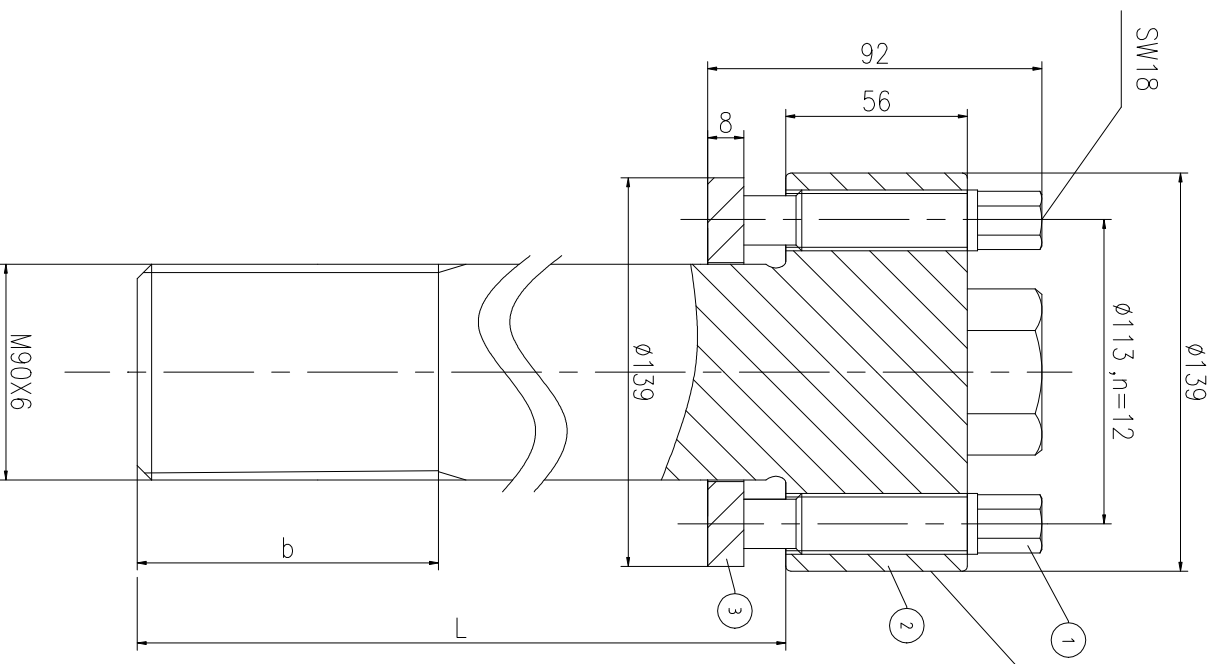
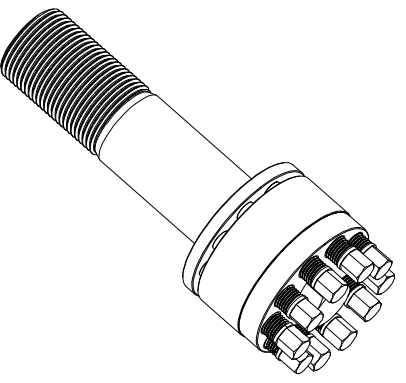
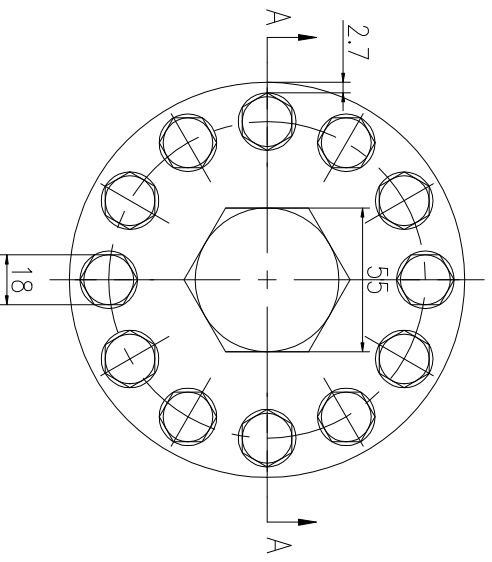


A-A



Logo
 PSN:model
 NO:drawing number
 NOM torque:**
 NOM preload:**
 MAX:max preload



PARTS LIST

PART	DWG NO.	QTY	DESCRIPTION	MATERIAL	WEIGHT(kg)
1	BS9061H-1	12	Bolt 13/16-16UN-84	CNMMo	0.22 /pcs
2	BS9061H-1	1	S-BOLT M90X6	CNMMo	/
3	BS9061H-3	1	Gasket 90.5X139X8	CNMMo	0.55

During on-site installation, please adjust the torque in conjunction with the bolt stretching distance. Without our authorization, the drawings shall not be shared with any third party, and we reserve the right to pursue legal liability against those who disclose the drawings to external parties.

上海康普曼传动机械有限公司 +86 021-61301856

KPM Power Transmission (Shanghai) Co.,Ltd Liang.Guo@kpmdrive.com.cn

NOM TORQUE	581 NM
NOM PRELOAD	2700 KN
MAX PRELOAD CAPACITY	2740 KN
LUBRICANT	G-N PLUS
TEMPERATURE RATING	-25 C~250 C

DESIGNED:	DATE:	2025.12.02	BSH-90X6	DWG NO.: BS90661H	SHEET: 1:1
REVIEWED:	DATE:	2025.12.02			
DRAWN:			STATE: PRELIMINARY APPROVED		

The dimensions at B and L positions are tailored to the customer's specific requests

REV	DESCRIPTION	DWG CHECK	APPR BY	APPR DATE

REVISION HISTORY