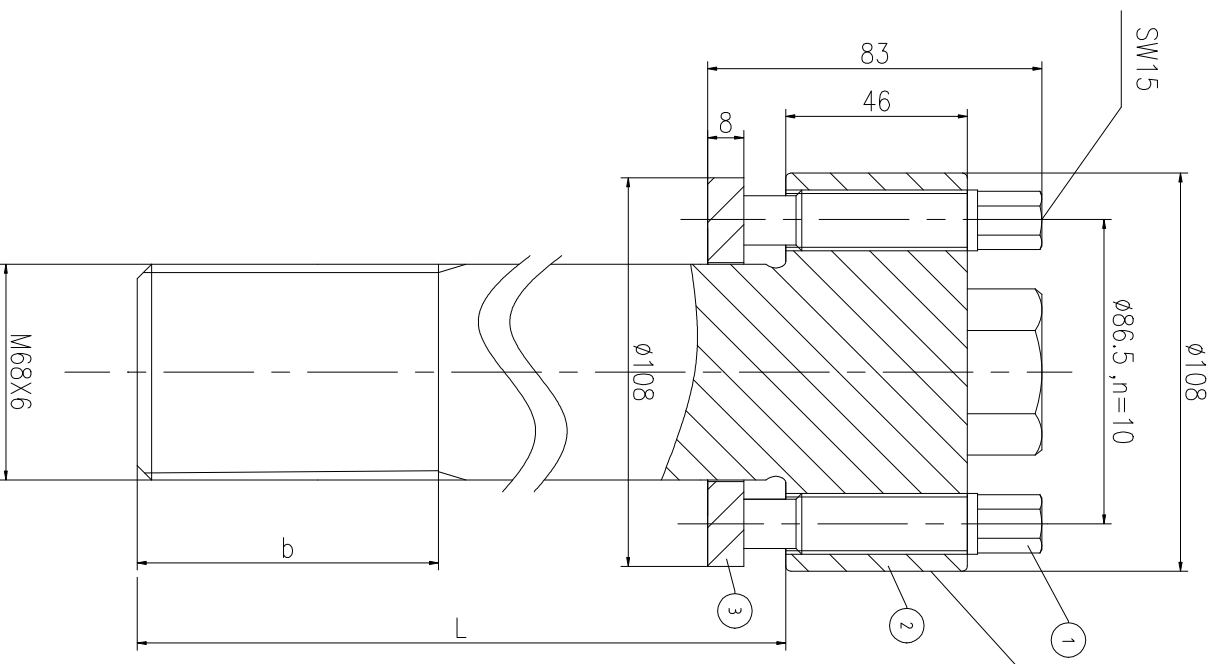
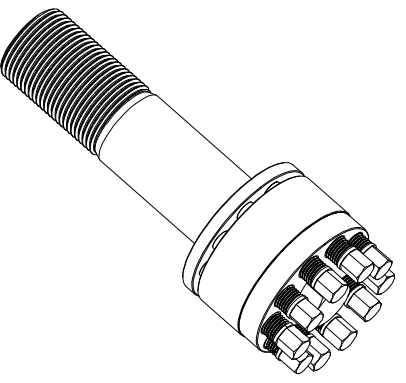
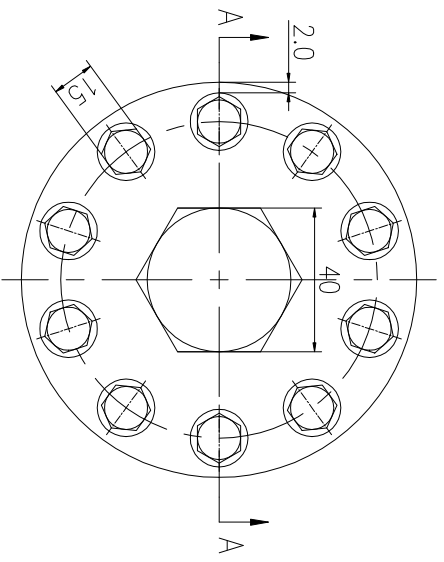


A-A



Logo
 PSN:model
 NO:drawing number
 NOM torque:**
 NOM preload:**
 MAX:max preload



PARTS LIST

PART	DWG NO.	QTY	DESCRIPTION	MATERIAL	WEIGHT(kg)
1	BBS17.516751	10	Bolt 11/16-16UN-75	CNMMo	0.14 /pcs
2	BS68651H-1	1	S-BOLT M68X6	CNMMo	/
3	BS68651H-3	1	Gasket 68.5X108X8	CNMMo	0.34

During on-site installation, please adjust the torque in conjunction with the bolt stretching distance. Without our authorization, the drawings shall not be shared with any third party, and we reserve the right to pursue legal liability against those who disclose the drawings to external parties.

上海康普曼传动机械有限公司

KPM Power Transmission (Shanghai) Co.,Ltd +86 021-61301856
 Liang.Guo@kpmdrive.com.cn

NOM TORQUE	319 NM
NOM PRELOAD	1450 KN
MAX PRELOAD CAPACITY	1480 KN
LUBRICANT	G-N PLUS
TEMPERATURE RATING	-25 C~250 C

DESIGNED: DATE: 2025.12.02	BSH-68X6	DWG NO.: BS68651H	SHEET: 1:1
REVIEWED: DATE: 2025.12.02			
DRAWN: DATE:		STATE: PRELIMINARY APPROVED	

The dimensions at B and L positions are tailored to the customer's specific requests

REV	DESCRIPTION	DWG CHECK	APPR BY	APPR DATE

REVISION HISTORY