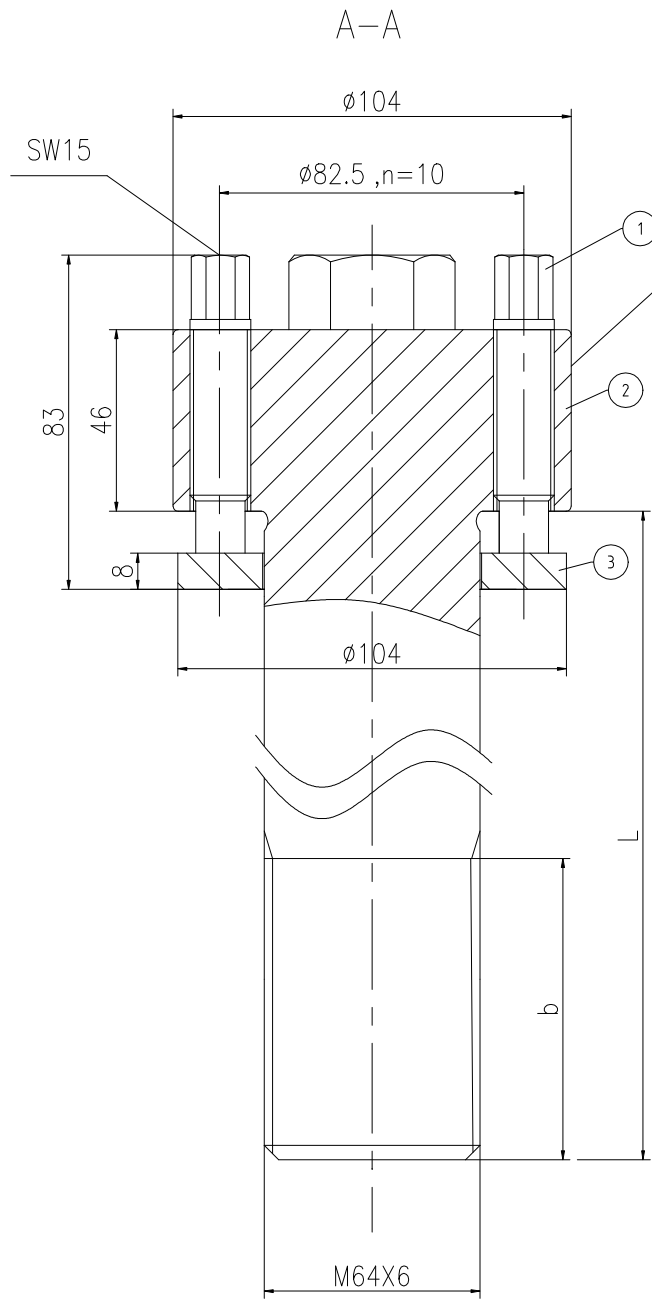


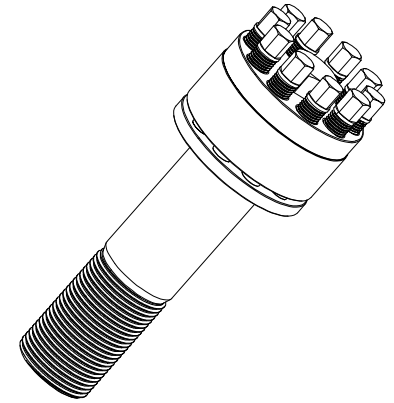
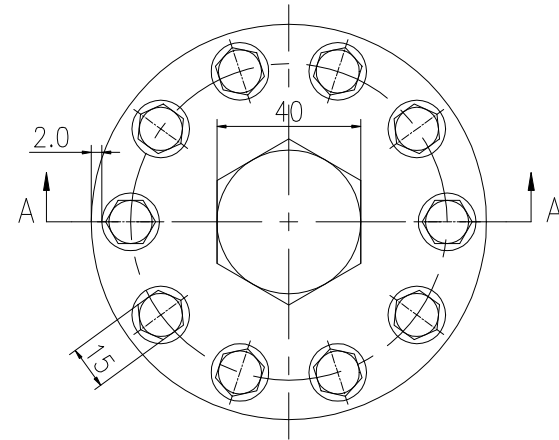
Unmarked tolerances shall be implemented in accordance with ISO 2768-mk.

1-6 Ø:1	>6-30 Ø:2	>30-120 Ø:3	>120-400 Ø:5	>400-1000 Ø:8
---------	-----------	-------------	--------------	---------------

		REVISION HISTORY		
REV	DESCRIPTION	DWG CHECK	APPR BY	APPR DATE



Logo
 PSN:model
 NO:drawing number
 NOM torque:**
 NOM preload:**
 MAX:max preload



PARTS LIST					
PART	DWG NO.	QTY	DESCRIPTION	MATERIAL	WEIGHT(kg)
1	BBS17.516751	10	Bolt 11/16-16UN-75	CrNiMo	0.14 /pcs
2	BS64651H-1	1	S-BOLT M64X6	CrNiMo	/
3	BS64651H-3	1	Gasket 64.5X104X8	CrNiMo	0.33

During on-site installation, please adjust the torque in conjunction with the bolt stretching distance. Without our authorization, the drawings shall not be shared with any third party, and we reserve the right to pursue legal liability against those who disclose the drawings to external parties.

NOM TORQUE	283 NM
NOM PRELOAD	1270 KN
MAX PRELOAD CAPACITY	1310 KN
LUBRICANT	G-N PLUS
TEMPERATURE RATING	-25 C~250 C

上海康普曼传动机械有限公司		+86 021-61301856	
KPM Power Transmission (Shanghai) Co.,Ltd		Liang.Guo@kpmdrive.com.cn	
DESIGNED: DAYE: 2025.12.02	BSH-64X6	WEIGHT: /kg	
REVIEWED: DAYE: 2025.12.02		STATE:	
DRAWN: DAYE:	DWG NO: BS64651H	SHEET: 1:1	PRELIMINARY APPROVED

DWG NO: BS64651H
 SHEET: 1:1

The dimensions at B and L positions are tailored to the customer's specific requests