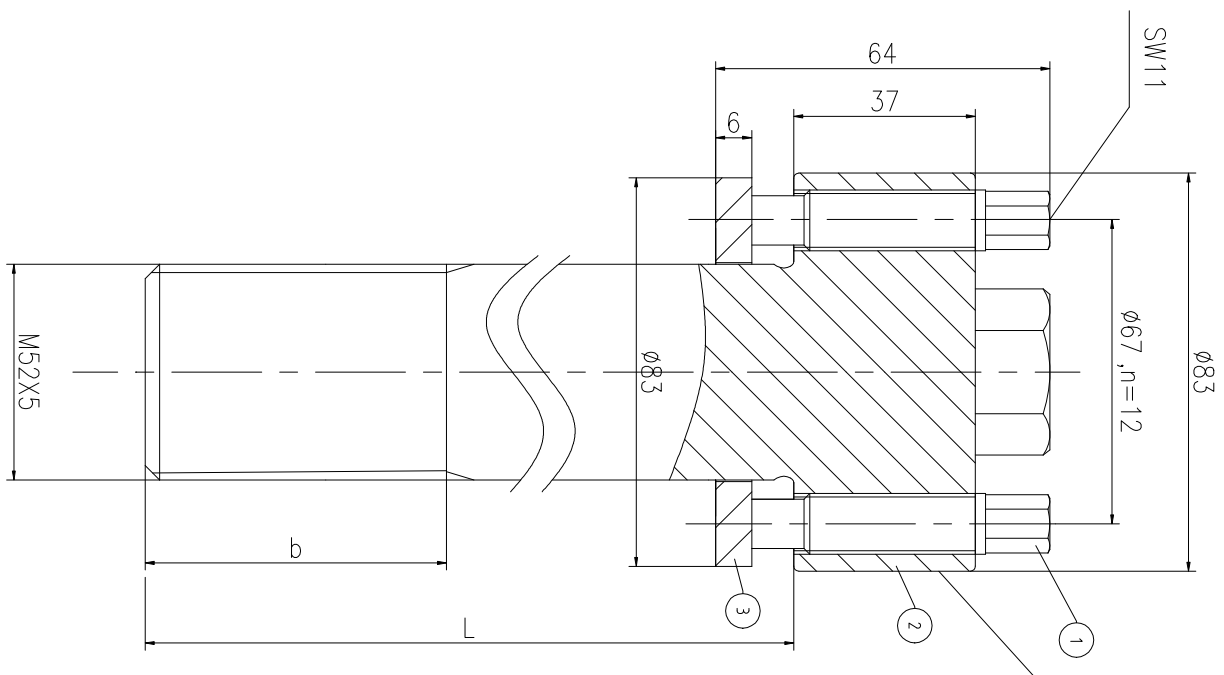
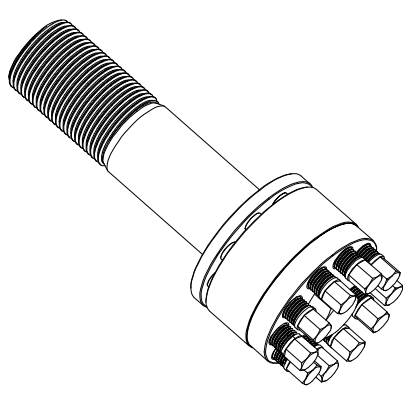
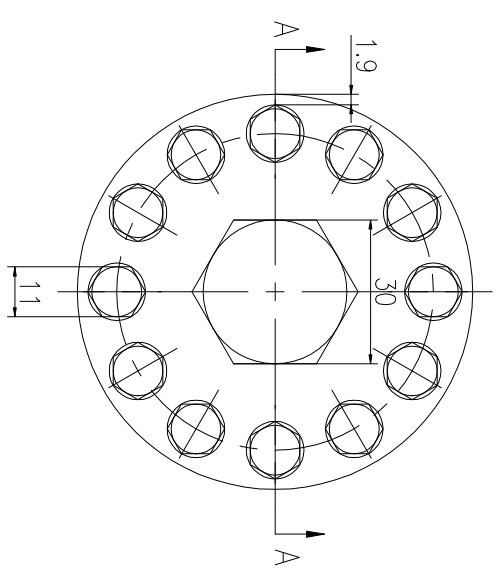


A-A



Logo  
 PSN:model  
 NO: drawing number  
 NOM torque:\*\*  
 NOM preload:\*\*  
 MAX:max preload



NOM TORQUE	129 NM
NOM PRELOAD	970 KN
MAX PRELOAD CAPACITY	995 KN
LUBRICANT	G-N PLUS
TEMPERATURE RATING	-25 C~250 C

PART	DWG NO.	QTY	DESCRIPTION	MATERIAL	WEIGHT(kg)
1	BBS12.720581	12	Bolt 1/2-20UNF-58	CNMMo	0.06 / pcs
2	BSS2561H-1	1	S-BOLT M52X5	CNMMo	/
3	BSS2561H-3	1	Gasket 52.5X83X6	CNMMo	0.15

During on-site installation, please adjust the torque in conjunction with the bolt stretching distance. Without our authorization, the drawings shall not be shared with any third party, and we reserve the right to pursue legal liability against those who disclose the drawings to external parties.

上海康普曼传动机械有限公司  
 KPM Power Transmission (Shanghai) Co.,Ltd  
 +86 021-61301856  
 Liang.Guo@kpmdrive.com.cn

DESIGNED: DATE: 2025.12.02  
 REVIEWED: DATE: 2025.12.02  
 DRAWN: DATE:

DWG NO.: BSS2561H  
 SHEET: 1/1

WEIGHT: /kg  
 STATE: PRELIMINARY APPROVED

The dimensions at B and L positions are tailored to the customer's specific requests

REV	DESCRIPTION	DWG CHECK	APPR BY	APPR DATE

REVISION HISTORY