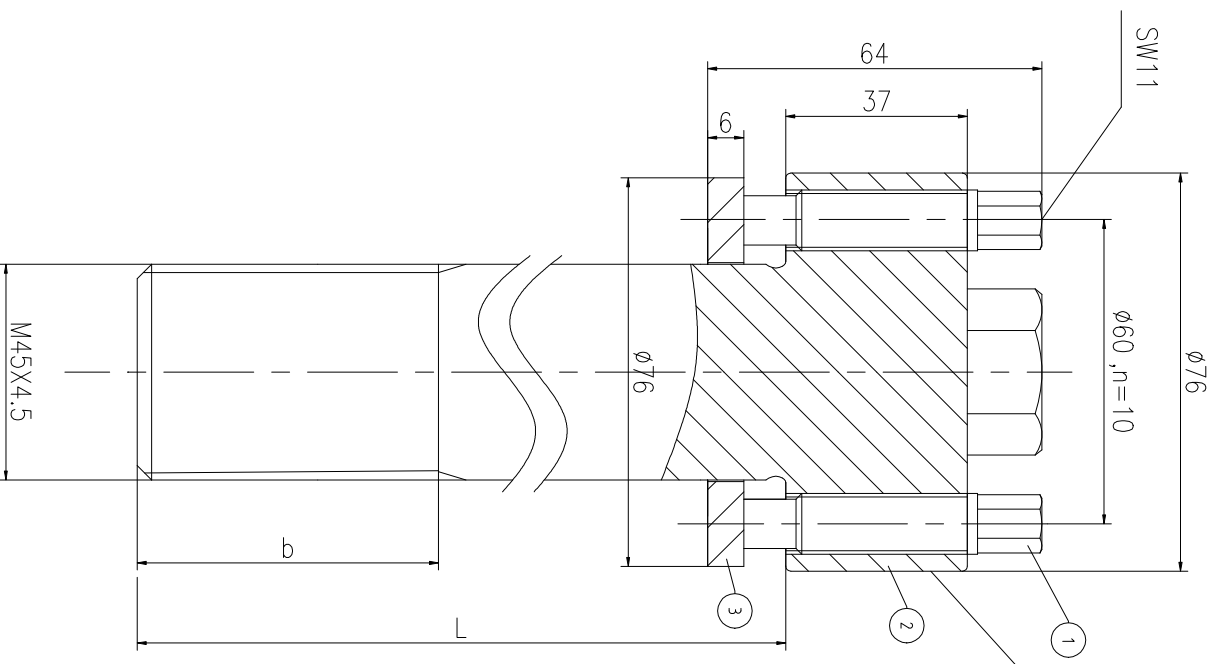
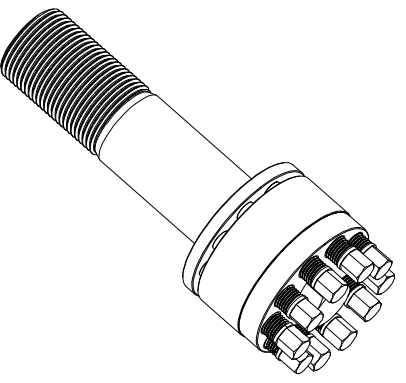
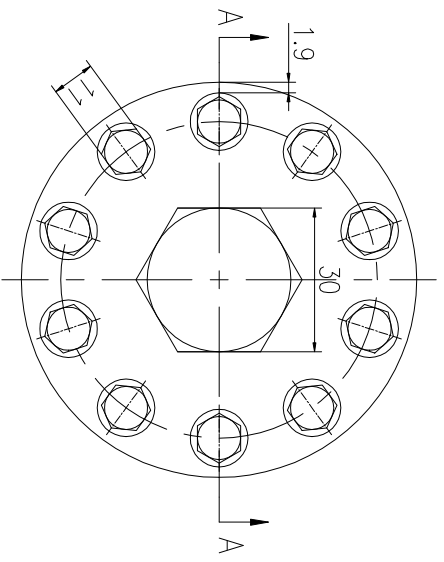


A-A



Logo
 PSN:model
 NO:drawing number
 NOM torque:**
 NOM preload:**
 MAX:max preload



NOM TORQUE	119 NM
NOM PRELOAD	720 KN
MAX PRELOAD CAPACITY	760 KN
LUBRICANT	G-N PLUS
TEMPERATURE RATING	-25 C~250 C

上海康普曼传动机械有限公司		+86 021-61301856	
KPM Power Transmission (Shanghai) Co.,Ltd		Liang.Guo@kpmdrive.com.cn	
DESIGNED:	DATE: 2025.12.02	BSH-45X4.5	
REVIEWED:	DATE: 2025.12.02		
DRAWN:	DATE:	DWG NO: BS454.551H	SHEET: 1:1

PARTS LIST					
PART	DWG NO.	QTY	DESCRIPTION	MATERIAL	WEIGHT(kg)
1	BBS12.720581	10	Bolt 1/2-20UNF-58	CNMMo	0.06 /pcs
2	BS454.551H-1	1	S-BOLT M45X4.5	CNMMo	/
3	BS454.551H-3	1	Gasket 45.5X76X6	CNMMo	0.14

During on-site installation, please adjust the torque in conjunction with the bolt stretching distance. Without our authorization, the drawings shall not be shared with any third party, and we reserve the right to pursue legal liability against those who disclose the drawings to external parties.

The dimensions at B and L positions are tailored to the customer's specific requests

REV	DESCRIPTION	DWG CHECK	APPR BY	APPR DATE

WEIGHT: /kg
 STATE: PRELIMINARY APPROVED