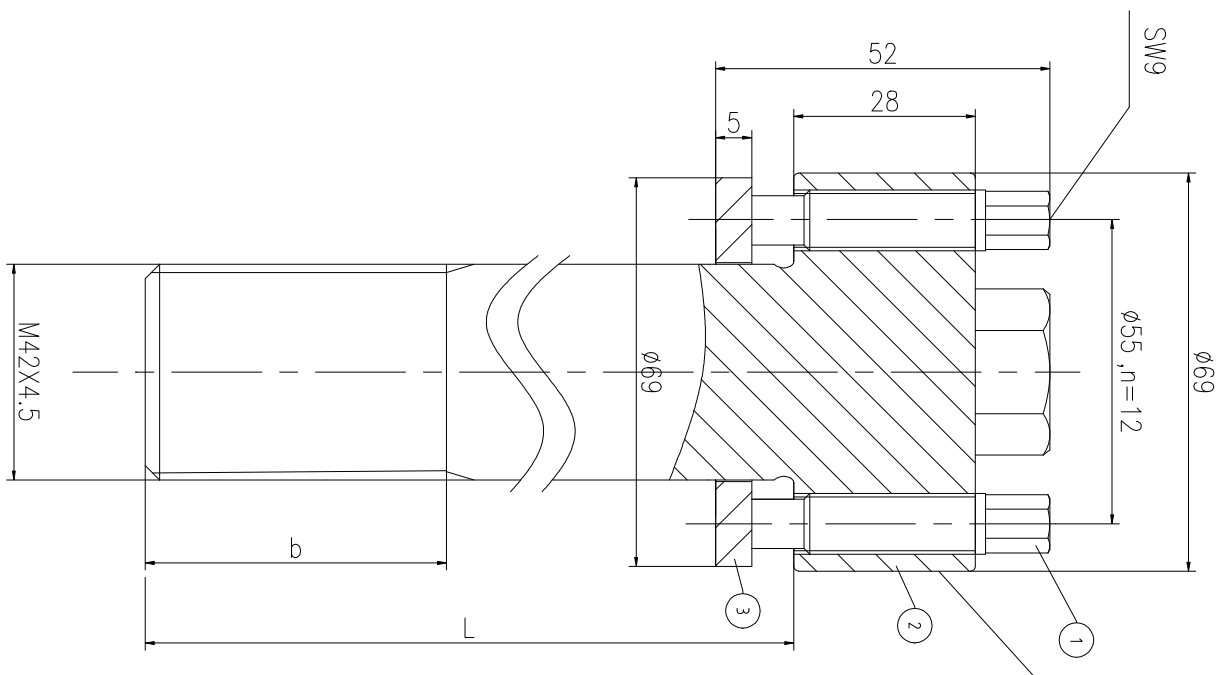
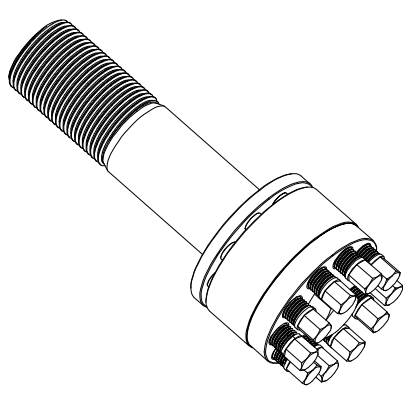
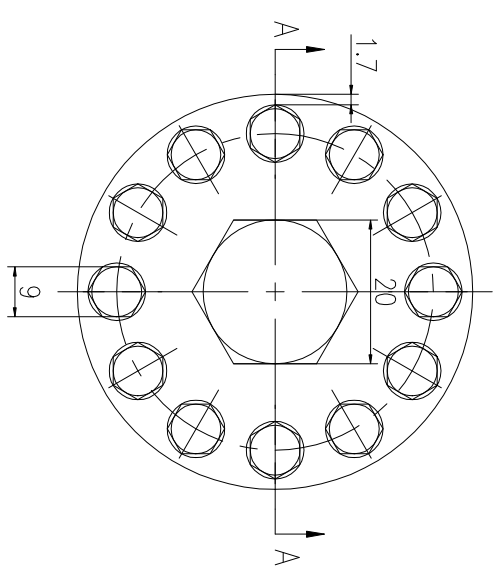


A-A



Logo
 PSN:model
 NO: drawing number
 NOM torque:**
 NOM preload:**
 MAX:max preload



PARTS LIST

PART	DWG NO.	QTY	DESCRIPTION	MATERIAL	WEIGHT(kg)
1	BBS11.120471	12	Bolt 7/16-20UNF-47	CNMMo	0.04 /pcs
2	BS424.561H-1	1	S-BOLT M42X4.5	CNMMo	/
3	BS424.561H-3	1	Gasket 42.5X69X5	CNMMo	0.09

During on-site installation, please adjust the torque in conjunction with the bolt stretching distance. Without our authorization, the drawings shall not be shared with any third party, and we reserve the right to pursue legal liability against those who disclose the drawings to external parties.

上海康普曼传动机械有限公司
 KPM Power Transmission (Shanghai) Co.,Ltd
 +86 021-61301856

NOM TORQUE	74 NM	DESIGNED:	DATE:	2025.12.02	DWG NO.:	BS424.561H	SHEET:	1:1
NOM PRELOAD	610 KN	REVIEWED:	DATE:	2025.12.02	STATE:	PRELIMINARY APPROVED		
MAX PRELOAD CAPACITY	645 KN	LUBRICANT	G-N PLUS	TEMPERATURE RATING	-25 C~250 C			

The dimensions at B and L positions are tailored to the customer's specific requests

REV	DESCRIPTION	DWG CHECK	APPR BY	APPR DATE

REVISION HISTORY