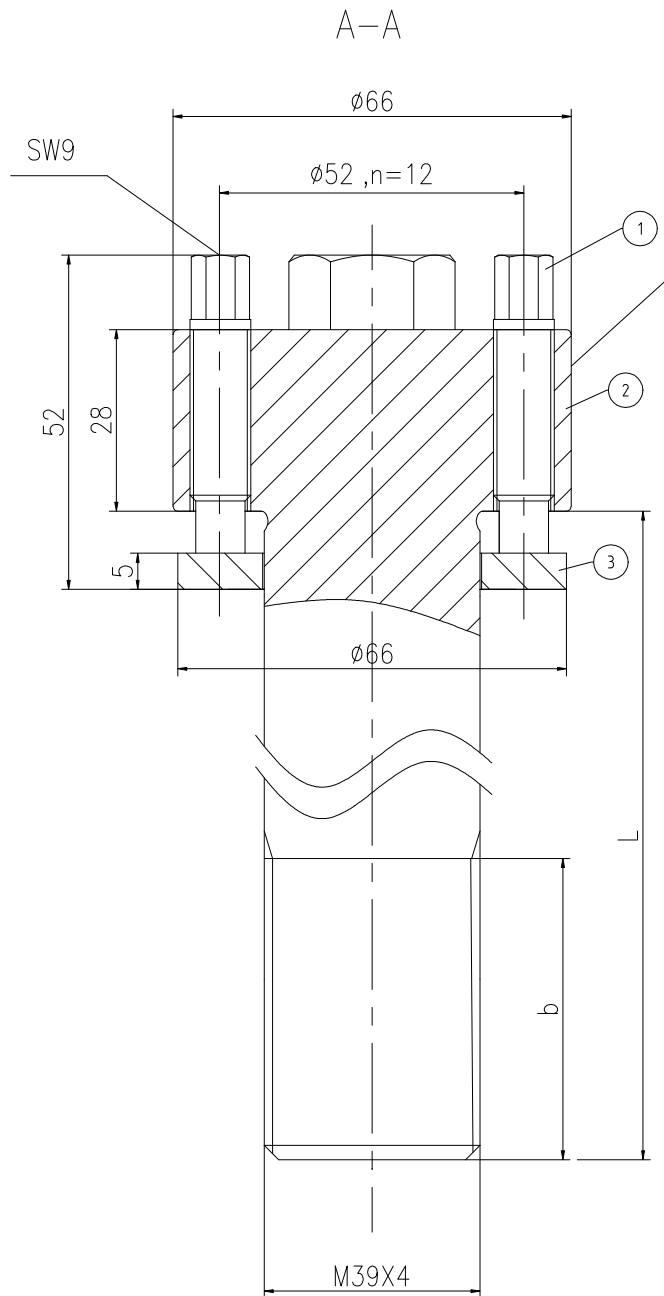
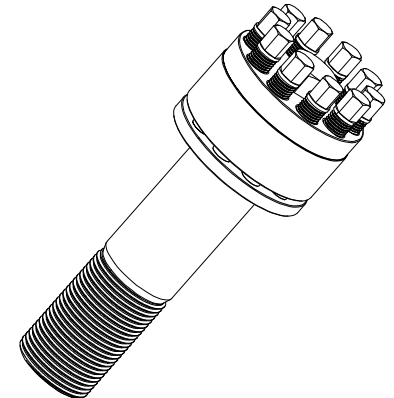
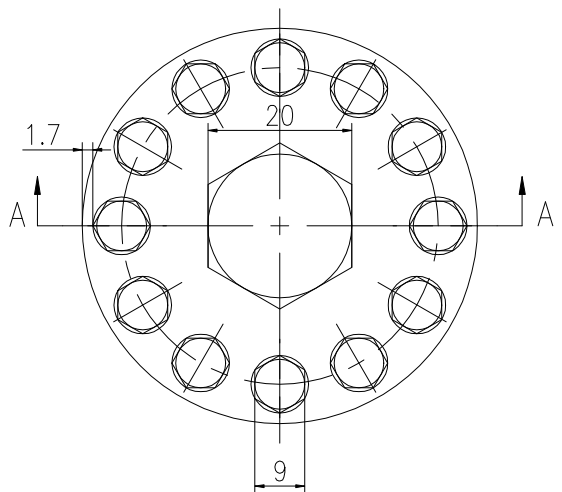


Unmarked tolerances shall be implemented in accordance with ISO 2768-mk.				
1-6 0:1	>6-30 0:2	>30-120 0:3	>120-400 0:5	>400-1000 0:8

		REVISION HISTORY		
REV	DESCRIPTION	DWG CHECK	APPR BY	APPR DATE



Logo
 PSN:model
 NO:drawing number
 NOM torque:**
 NOM preload:**
 MAX:max preload



PARTS LIST					
PART	DWG NO.	QTY	DESCRIPTION	MATERIAL	WEIGHT(kg)
1	BBS11.120471	12	Bolt 7/16-20UNF-47	CrNiMo	0.04 /pcs
2	BS39461H-1	1	S-BOLT M39X4	CrNiMo	/
3	BS39461H-3	1	Gasket 39.5X66X5	CrNiMo	0.09

During on-site installation, please adjust the torque in conjunction with the bolt stretching distance. Without our authorization, the drawings shall not be shared with any third party, and we reserve the right to pursue legal liability against those who disclose the drawings to external parties.

NOM TORQUE	65 NM	上海康普曼传动机械有限公司		+86 021-61301856
NOM PRELOAD	540 KN	KPM Power Transmission (Shanghai) Co.,Ltd		Liang.Guo@kpmdrive.com.cn
MAX PRELOAD CAPACITY	570 KN	DESIGNED: DAYE: 2025.12.02	BSH-39X4	
LUBRICANT	G-N PLUS	REVIEWED: DAYE: 2025.12.02		
TEMPERATURE RATING	-25 C~250 C	DRAWN: DAYE:	DWG NO: BS39461H	WEIGHT: /kg
			SHEET: 1:1	STATE: PRELIMINARY APPROVED

The dimensions at B and L positions are tailored to the customer's specific requests

DWG NO: BS39461H SHEET: 1:1