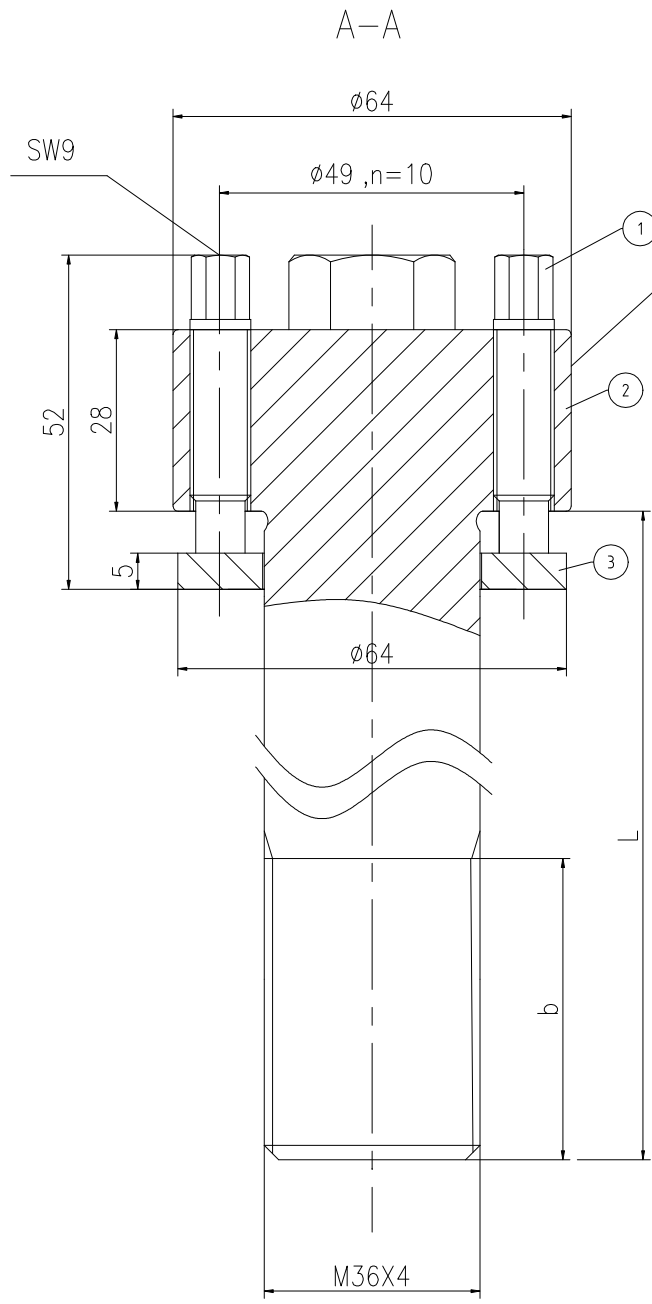
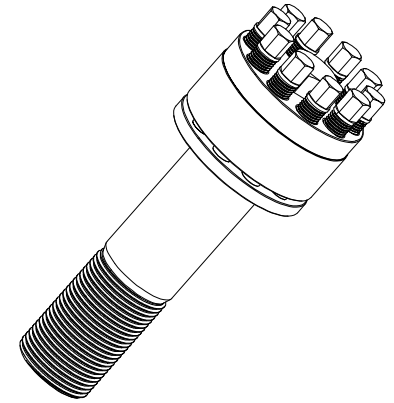
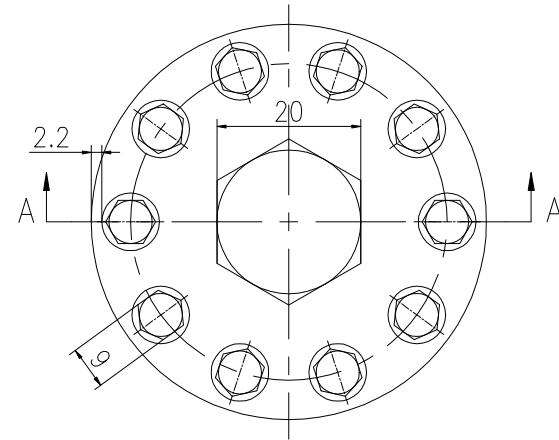


Unmarked tolerances shall be implemented in accordance with ISO 2768-mk.				
1-6 0:1	>6-30 0:2	>30-120 0:3	>120-400 0:5	>400-1000 0:8

		REVISION HISTORY		
REV	DESCRIPTION	DWG CHECK	APPR BY	APPR DATE



Logo  
 PSN:model  
 NO:drawing number  
 NOM torque:\*\*  
 NOM preload:\*\*  
 MAX:max preload



PARTS LIST					
PART	DWG NO.	QTY	DESCRIPTION	MATERIAL	WEIGHT(kg)
1	BBS11.120471	10	Bolt 7/16-20UNF-47	CrNiMo	0.04 /pcs
2	BS36451H-1	1	S-BOLT M36X4	CrNiMo	/
3	BS36451H-3	1	Gasket 36.5X64X5	CrNiMo	0.09

During on-site installation, please adjust the torque in conjunction with the bolt stretching distance. Without our authorization, the drawings shall not be shared with any third party, and we reserve the right to pursue legal liability against those who disclose the drawings to external parties.

NOM TORQUE	69 NM	上海康普曼传动机械有限公司		+86 021-61301856
NOM PRELOAD	443 KN	KPM Power Transmission (Shanghai) Co.,Ltd		Liang.Guo@kpmdrive.com.cn
MAX PRELOAD CAPACITY	508 KN	DESIGNED: DAYE: 2025.12.02	BSH-36X4	
LUBRICANT	G-N PLUS	REVIEWED: DAYE: 2025.12.02		
TEMPERATURE RATING	-25 C~250 C	DRAWN: DAYE:	DWG NO: BSH-36X4	WEIGHT: /kg
			SHEET: 1:1	STATE: PRELIMINARY APPROVED

The dimensions at B and L positions are tailored to the customer's specific requests

DWG NO: BS36451H  
 SHEET: 1:1