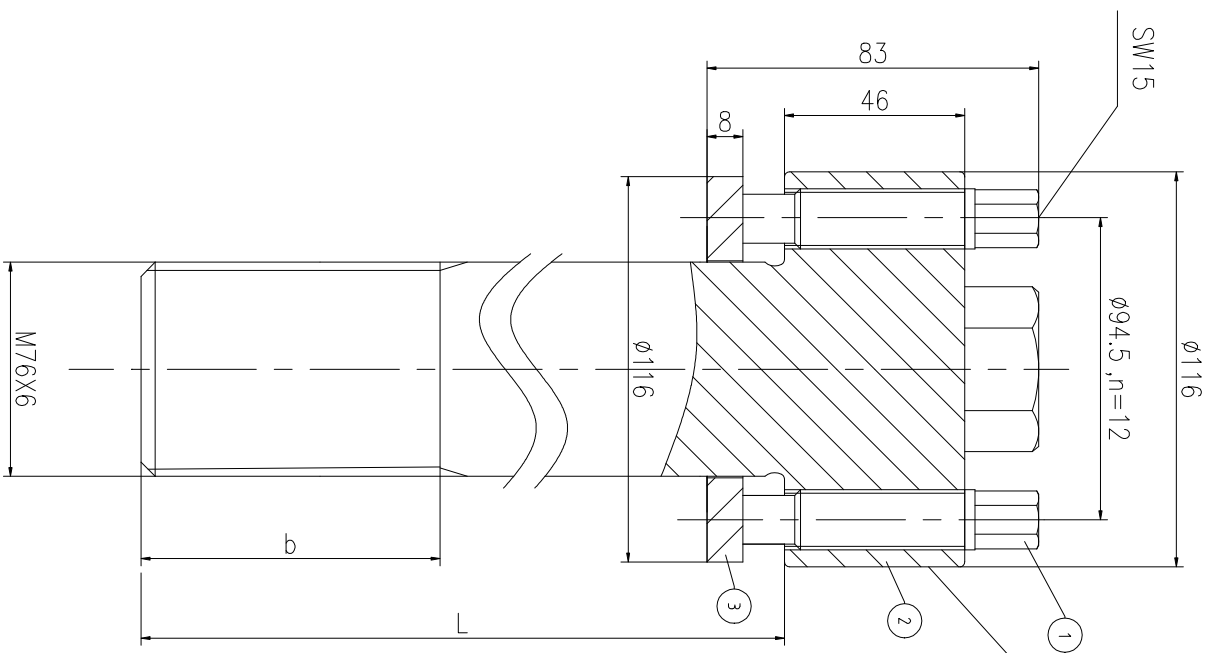
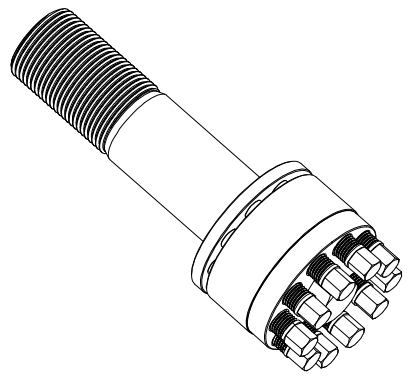
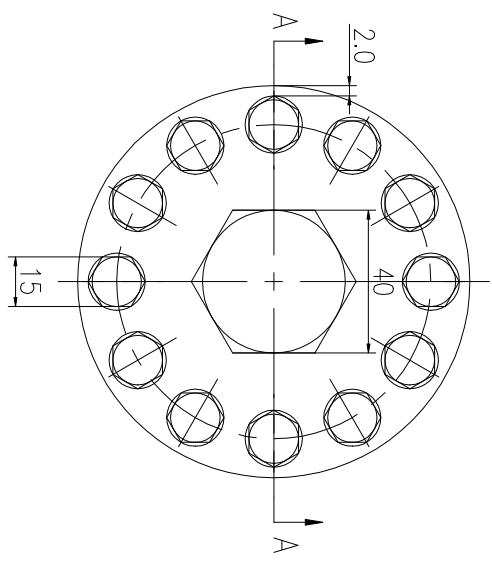


A-A



Logo
 PSN:model
 NO:drawing number
 NOM torque:**
 NOM preload:**
 MAX:max preload



PARTS LIST

PART	DWG NO.	QTY	DESCRIPTION	MATERIAL	WEIGHT(kg)
1	BBS17.516751	12	Bolt 11/16-16UN-75	CNMMo	0.14 /pc
2	BS71390 1M-1	1	S-BOLT M76X6	CNMMo	/
3	BS71390 1M-3	1	Gasket 76.5X116X8	CNMMo	0.37

During on-site installation, please adjust the torque in conjunction with the bolt stretching distance. Without our authorization, the drawings shall not be shared with any third party, and we reserve the right to pursue legal liability against those who disclose the drawings to external parties.

上海康普曼传动机械有限公司 +86 021-61301856

KPM Power Transmission (Shanghai) Co., Ltd Liang.Guo@kpmdrive.com.cn

NOM TORQUE	253 NM
NOM PRELOAD	1390 KN
MAX PRELOAD CAPACITY	1B70KN
LUBRICANT	G-N PLUS
TEMPERATURE RATING	-25 C~250 C

DESIGNED:	DATE:	2025.12.02	BSM-76X6	STATE:			
REVIEWED:	DATE:	2025.12.02					
DRAWN:	DATE:		DWG NO:	BS71390 1M	SHEET:	1:1	PRELIMINARY APPROVED

The dimensions at B and L positions are tailored to the customer's specific requests