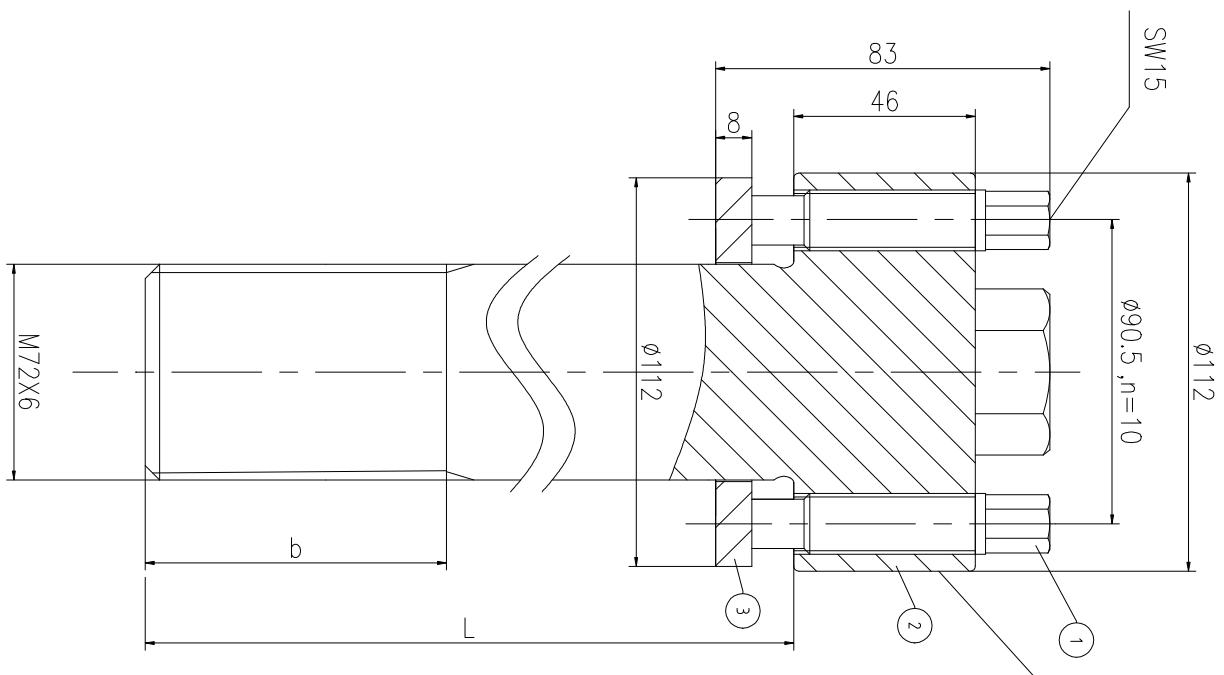
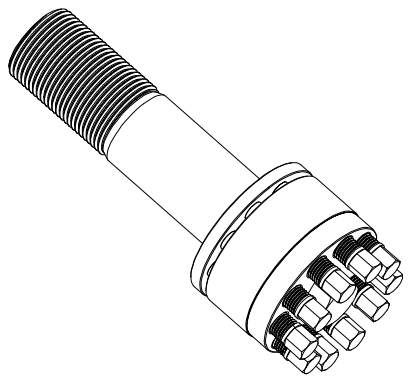
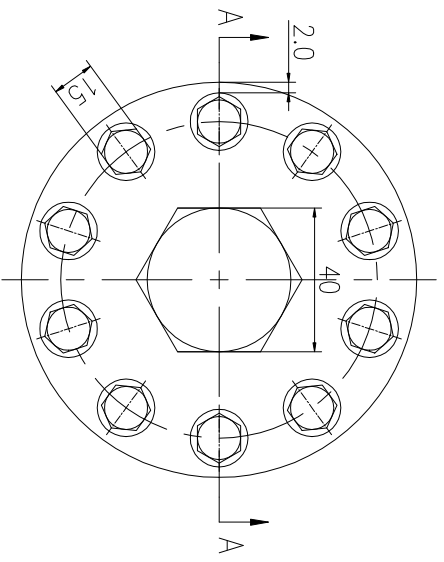


A-A



Logo
 PSN:model
 NO:drawing number
 NOM torque:**
 NOM preload:**
 MAX:max preload



PARTS LIST

PART	DWG NO.	QTY	DESCRIPTION	MATERIAL	WEIGHT(kg)
1	BBS17.516751	10	Bolt 11/16-16UN-75	CNMMo	0.14 / pcs
2	BS72651M-1	1	S-BOLT M72X6	CNMMo	/
3	BS72651M-3	1	Gasket 72.5X112X8	CNMMo	0.36

During on-site installation, please adjust the torque in conjunction with the bolt stretching distance. Without our authorization, the drawings shall not be shared with any third party, and we reserve the right to pursue legal liability against those who disclose the drawings to external parties.

上海康普曼传动机械有限公司

+86 021-61301856

KPM Power Transmission (Shanghai) Co.,Ltd

Liang.Guo@kpmdrive.com.cn

NOM TORQUE	268 NM
NOM PRELOAD	1230 KN
MAX PRELOAD CAPACITY	1640 KN
LUBRICANT	G-N PLUS
TEMPERATURE RATING	-25 C~250 C

DESIGNED:	DATE:	2025.12.02	BSM-72X6	SHEET:	1:1
REVIEWED:	DATE:	2025.12.02			
DRAWN:	DATE:		DWG NO.:	BS72651M	STATE:
					PRELIMINARY APPROVED

The dimensions at B and L positions are tailored to the customer's specific requests

REV	DESCRIPTION	DWG CHECK	APPR BY	APPR DATE

REVISION HISTORY