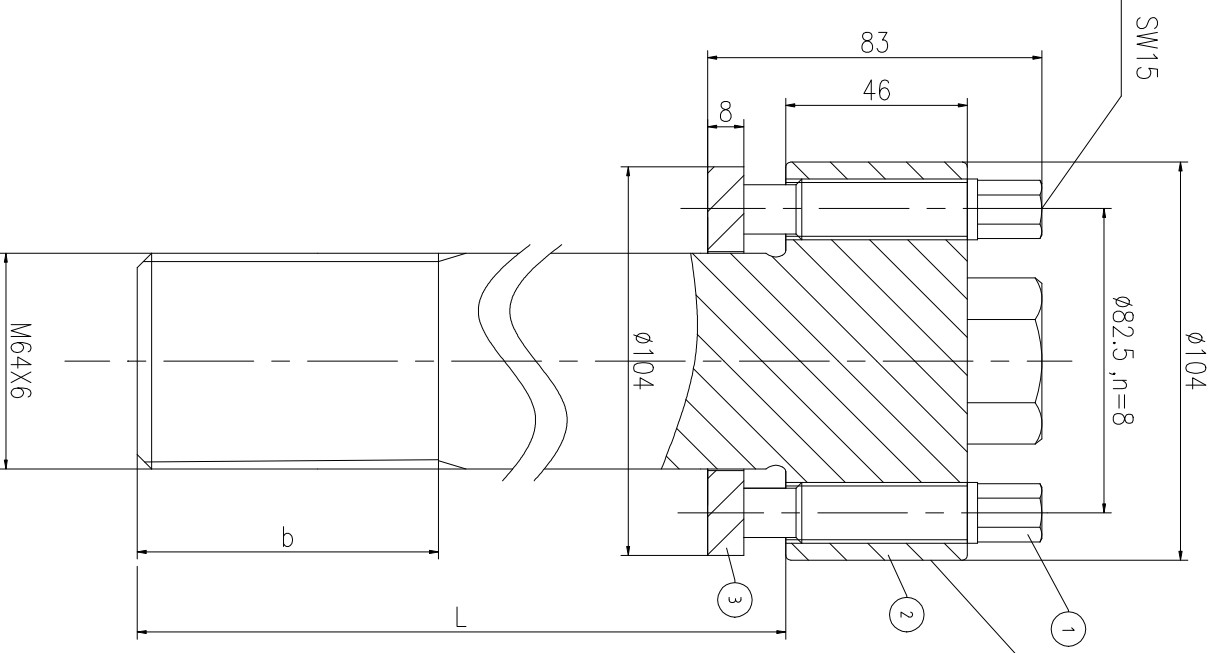
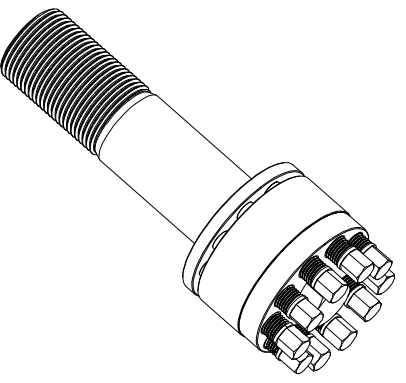
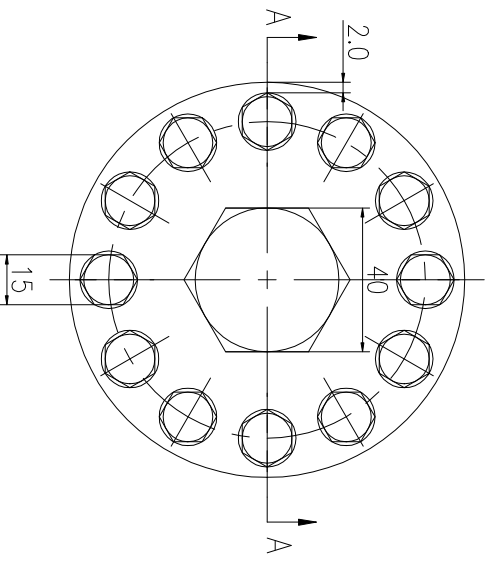


A-A



Logo
 PSN:model
 NO:drawing number
 NOM torque:**
 NOM preload:**
 MAX:max preload



PARTS LIST

PART	DWG NO.	QTY	DESCRIPTION	MATERIAL	WEIGHT(kg)
1	BBS17.516751	8	Bolt 11/16-16UN-75	CNMMo	0.14 /pcs
2	BS64641M-1	1	S-BOLT M64X6	CNMMo	/
3	BS64641M-3	1	Gasket 64.5X104X8	CNMMo	0.33

During on-site installation, please adjust the torque in conjunction with the bolt stretching distance. Without our authorization, the drawings shall not be shared with any third party, and we reserve the right to pursue legal liability against those who disclose the drawings to external parties.

上海康普曼传动机械有限公司

+86 021-61301856

KPM Power Transmission (Shanghai) Co.,Ltd
 Liang.Guo@kpmdrive.com.cn

NOM TORQUE	259 NM
NOM PRELOAD	950 KN
MAX PRELOAD CAPACITY	1270 KN
LUBRICANT	G-N PLUS
TEMPERATURE RATING	-25 C~250 C

DESIGNED:	DATE:	2025.12.02	BSM-64X6	DWG NO.: BS64641M	SHEET: 1:1
REVIEWED:	DATE:	2025.12.02			
DRAWN:			STATE: PRELIMINARY APPROVED		

REV	DESCRIPTION	DWG CHECK	APPR BY	APPR DATE

The dimensions at B and L positions are tailored to the customer's specific requests