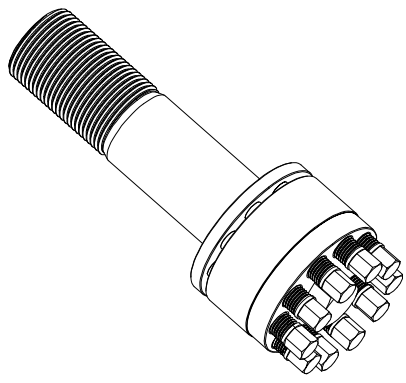
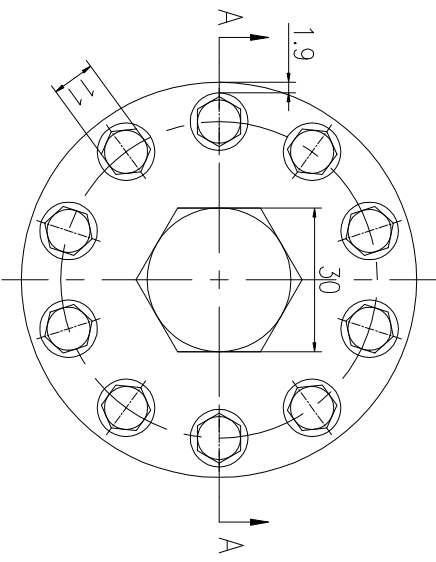
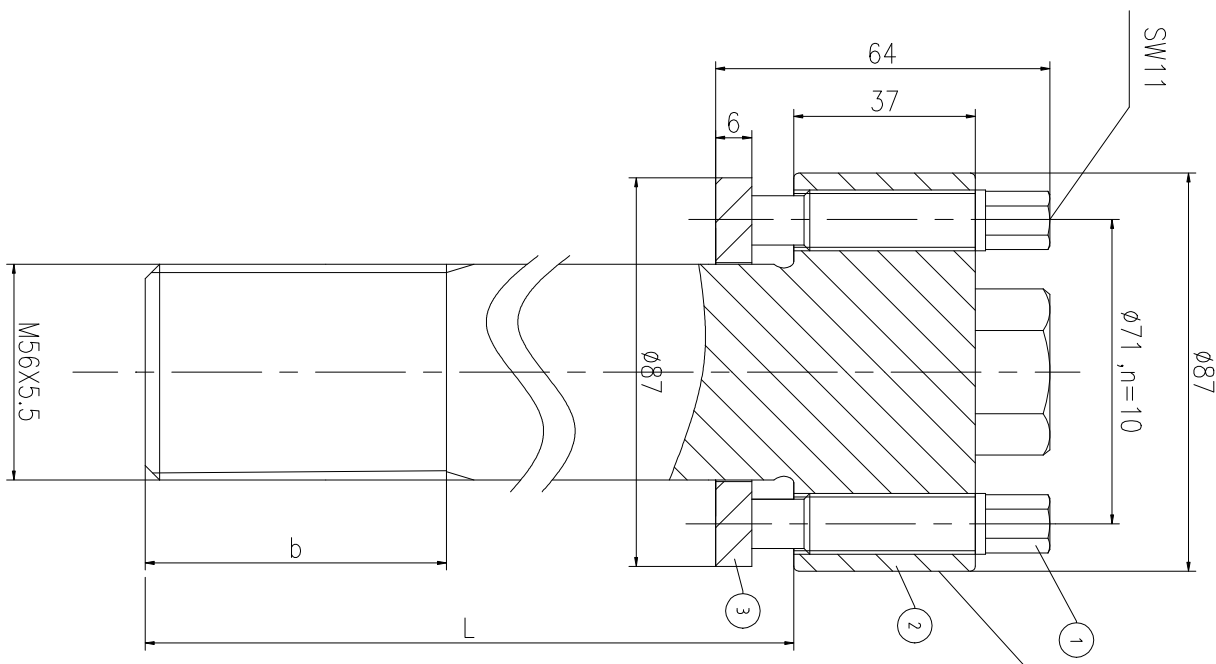


A-A

REV	DESCRIPTION	DWG CHECK	APPR BY	APPR DATE

Logo
 PSN:model
 NO:drawing number
 NOM torque:**
 NOM preload:**
 MAX:max preload



PART	DWG NO.	QTY	DESCRIPTION	MATERIAL	WEIGHT(kg)
1	BBS12.720581	10	Bolt 1/2-20UNF-58	CNMMo	0.06 / pcs
2	BBS65.551M-1	1	S-BOLT M56X5.5	CNMMo	/
3	BBS65.551M-3	1	Gasket 56.5X87X6	CNMMo	0.18

During on-site installation, please adjust the torque in conjunction with the bolt stretching distance. Without our authorization, the drawings shall not be shared with any third party, and we reserve the right to pursue legal liability against those who disclose the drawings to external parties.

上海康普曼传动机械有限公司

KPM Power Transmission (Shanghai) Co.,Ltd | Liang.Guo@kpmdrive.com.cn

+86 021-61301856

The dimensions at B and L positions are tailored to the customer's specific requests

NOM TORQUE	134 NM
NOM PRELOAD	835 KN
MAX PRELOAD CAPACITY	1120 KN
LUBRICANT	G-N PLUS
TEMPERATURE RATING	-25 C~250 C

DESIGNED: DATE: 2025.12.02	BSM-56X5.5	DWG NO.: BBS65.551M	SHEET: 1/1
REVIEWED: DATE: 2025.12.02		STATE: PRELIMINARY APPROVED	