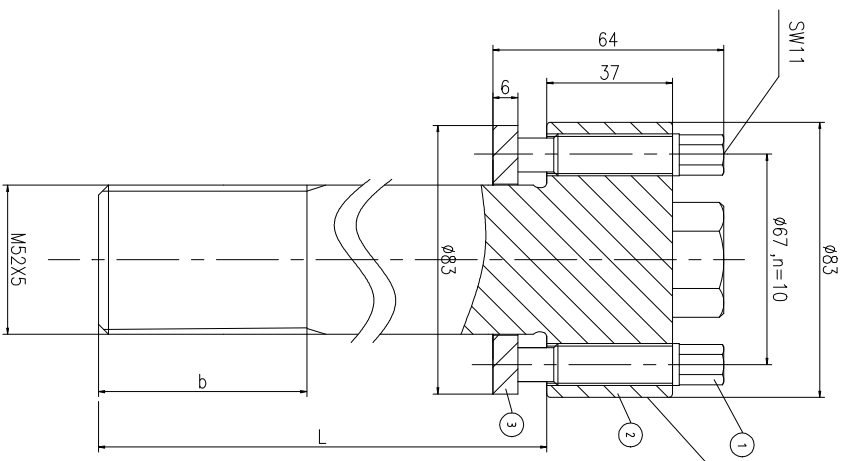
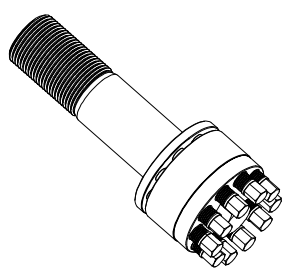
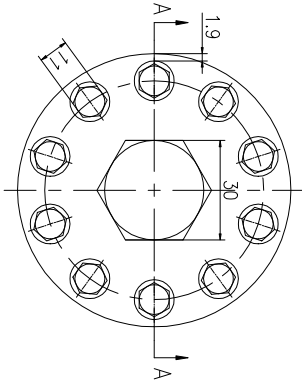


REVISION HISTORY		REV	DESCRIPTION	DWG CHECK	APPR BY	APPR DATE

A-A



Logo
 PSN:model
 NO:drawing number
 NOM torque:**
 NOM preload:**
 MAX:max preload



PARTS LIST					
PART	DWG NO.	QTY	DESCRIPTION	MATERIAL	WEIGHT(kg)
1	BBS12.220981	10	Bot 1/2-20UNF-58	C45Mn	0.06 /pcs
2	BSS2551M-1	1	S-BOLT M52X5	C45Mn	/
3	BSS2551M-3	1	Head1 S2.S03X6	C45Mn	0.15

During on-site installation, please adjust the torque in conjunction with the bolt stretching distance. Without our authorization, the drawings shall not be shared with any third party, and we reserve the right to pursue legal liability against those who disclose the drawings to external parties.

NOM TORQUE	118 NM	上海康普曼传动机械有限公司		+86 021-61301856
NOM PRELOAD	735 KN	DESIGNED:	KPM Power Transmission (Shanghai) Co., Ltd	liang.guo@kpmdrive.com.cn
MAX PRELOAD CAPACITY	970 KN	DATE:	2025.12.02	
LUBRICANT	G-N PLUS	REVIEWED:	DATE:	2025.12.02
TEMPERATURE RATING	-25 C~250 C	DRAWN:	DATE:	
		DWG NO:	BSS2551M	
		SHEET:	1:1	
		PRELIMINARY APPROVED		

