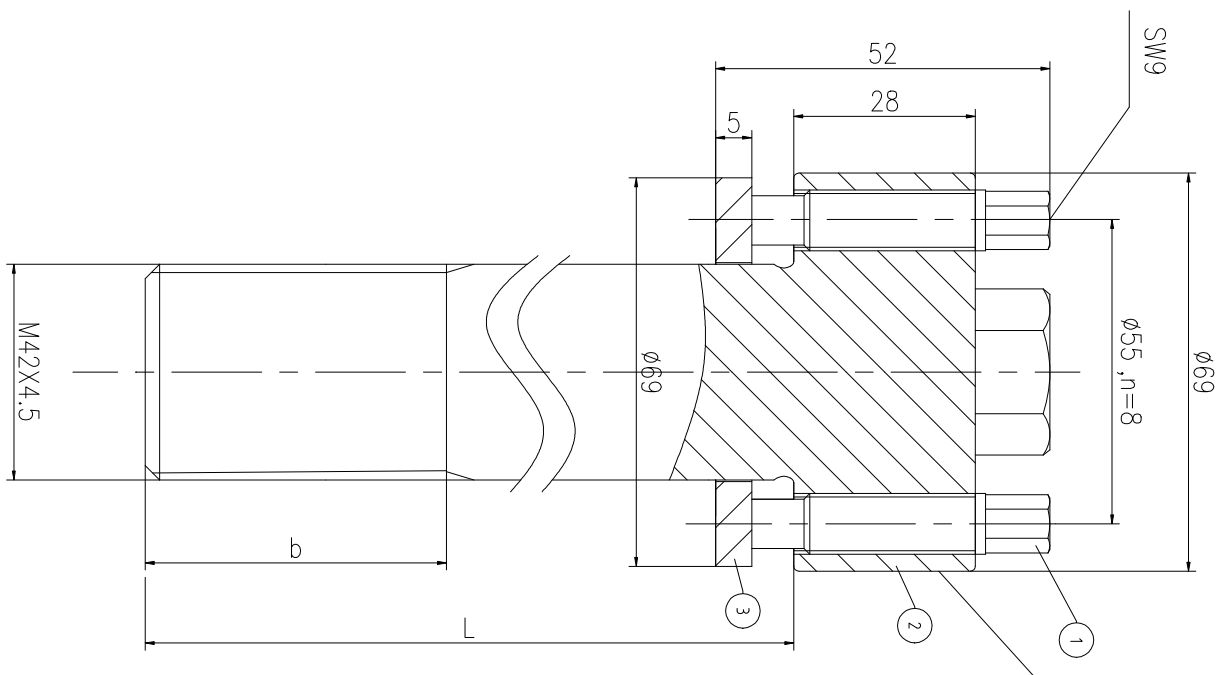
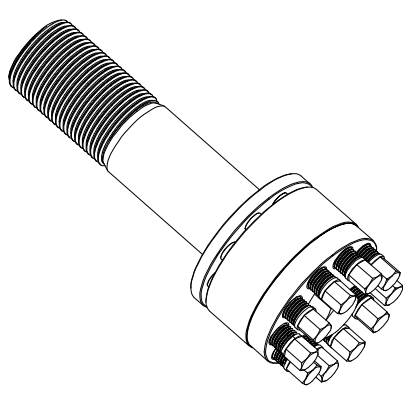
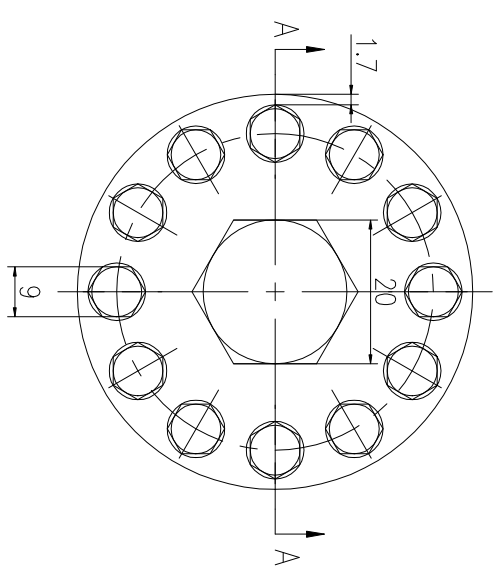


A-A



Logo
 PSN:model
 NO:drawing number
 NOM torque:**
 NOM preload:**
 MAX:max preload



PARTS LIST

PART	DWG NO.	QTY	DESCRIPTION	MATERIAL	WEIGHT(kg)
1	BBS11.120471	8	Bolt 7/16-20UNF-47	CNMMo	0.04 /pcs
2	BS424.541M-1	1	S-BOLT M42X4.5	CNMMo	/
3	BS424.541M-3	1	Gasket 42.5X69X5	CNMMo	0.09

During on-site installation, please adjust the torque in conjunction with the bolt stretching distance. Without our authorization, the drawings shall not be shared with any third party, and we reserve the right to pursue legal liability against those who disclose the drawings to external parties.

上海康普曼传动机械有限公司
 KPM Power Transmission (Shanghai) Co.,Ltd
 +86 021-61301856
 Liang.Guo@kpmdrive.com.cn

NOM TORQUE	80 NM
NOM PRELOAD	457 KN
MAX PRELOAD CAPACITY	610 KN
LUBRICANT	G-N PLUS
TEMPERATURE RATING	-25 C~250 C
DESIGNED:	DATE: 2025.12.02
REVIEWED:	DATE: 2025.12.02
DRAWN:	DATE:
DWG NO:	BS424.541M
SHEET:	1:1
WEIGHT:	/kg
STATE:	PRELIMINARY APPROVED

REV	DESCRIPTION	DWG CHECK	APPR BY	APPR DATE

The dimensions at B and L positions are tailored to the customer's specific requests