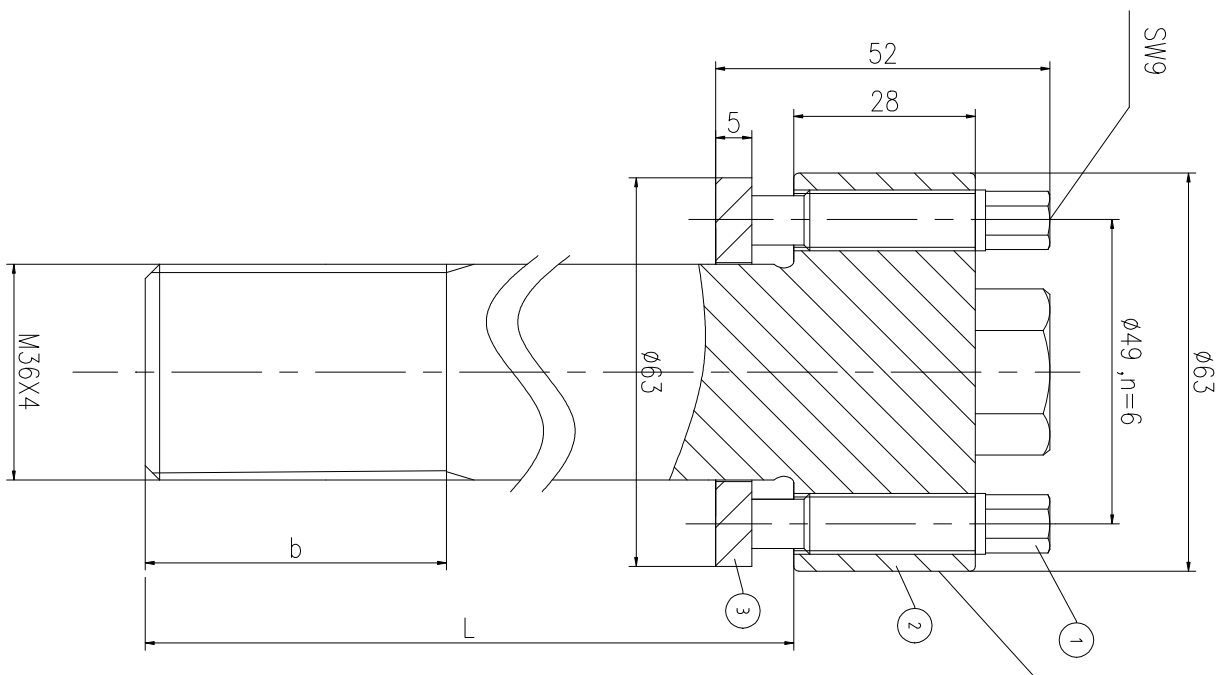
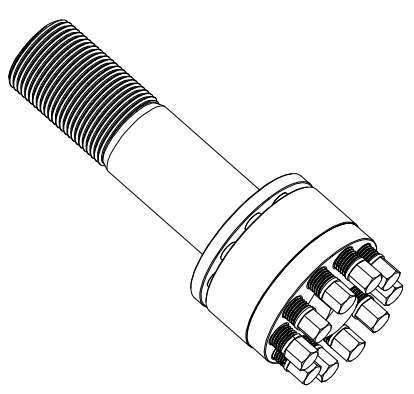
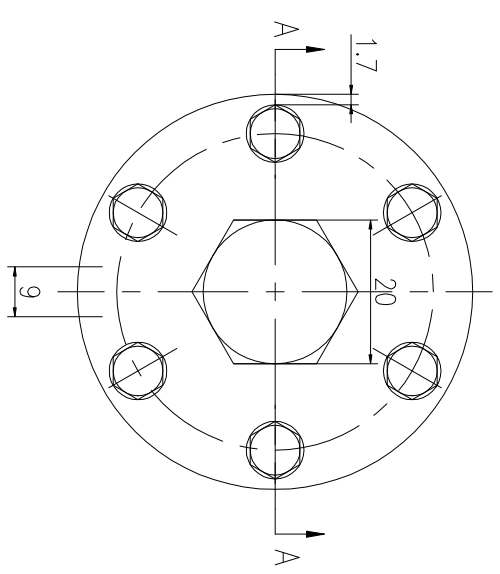


A-A



Logo
 PSN:model
 NO: drawing number
 NOM torque:**
 NOM preload:**
 MAX:max preload



PARTS LIST

PART	DWG NO.	QTY	DESCRIPTION	MATERIAL	WEIGHT(kg)
1	BBS11.120471	6	Bolt 7/16-20UNF-47	CNMMo	0.04 /pcs
2	BS36431M-1	1	S-BOLT M36X4	CNMMo	/
3	BS36431M-3	1	Gasket 36.5X63X5	CNMMo	0.08

During on-site installation, please adjust the torque in conjunction with the bolt stretching distance. Without our authorization, the drawings shall not be shared with any third party, and we reserve the right to pursue legal liability against those who disclose the drawings to external parties.

上海康普曼传动机械有限公司
 KPM Power Transmission (Shanghai) Co.,Ltd
 +86 021-61301856
 Liang.Guo@kpmdrive.com.cn

NOM TORQUE	78 NM	DESIGNED:	DATE:	2025.12.02	DWG NO.:	BS36431M	SHEET:	1:1
NOM PRELOAD	333 KN	REVIEWED:	DATE:	2025.12.02	DWG NO.:	BS36431M	SHEET:	1:1
MAX PRELOAD CAPACITY	443 KN	TEMPERATURE RATING	-25 C~250 C					
LUBRICANT	G-N PLUS	PRELIMINARY APPROVED						

The dimensions at B and L positions are tailored to the customer's specific requests

REV	DESCRIPTION	DWG CHECK	APPR BY	APPR DATE

REVISION HISTORY