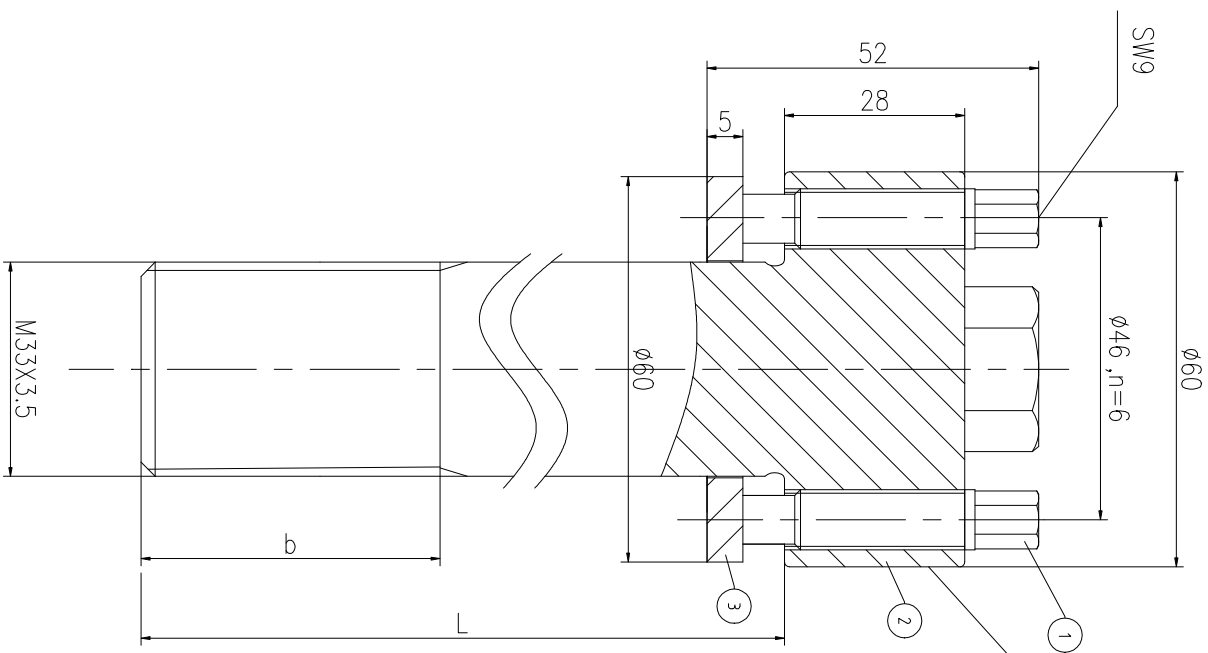
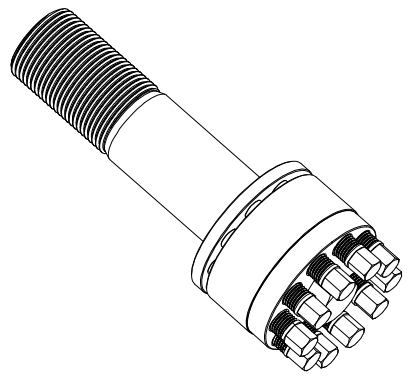
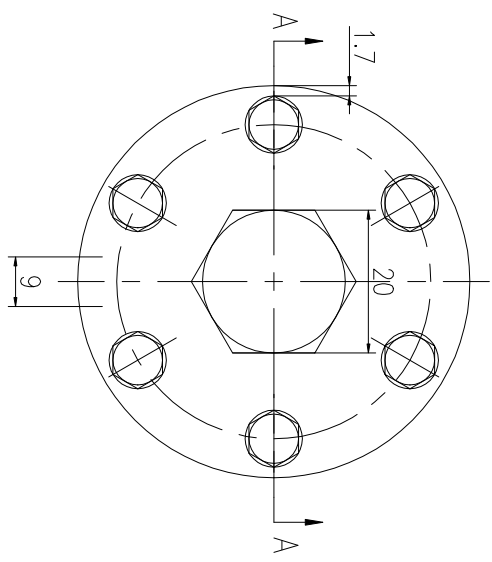


A-A



Logo
 PSN:model
 NO:drawing number
 NOM torque:**
 NOM preload:**
 MAX:max preload



PARTS LIST

PART	DWG NO.	QTY	DESCRIPTION	MATERIAL	WEIGHT(kg)
1	BBS11.120471	6	Bolt 7/16-20UNF-47	CNiMn6	0.04 /pcs
2	BS6 .531M-1	1	S-BOLT M33X3.5	CNiMn6	/
3	BS6 .531M-3	1	Gasket 33.5X60X5	CNiMn6	0.08

During on-site installation, please adjust the torque in conjunction with the bolt stretching distance. Without our authorization, the drawings shall not be shared with any third party, and we reserve the right to pursue legal liability against those who disclose the drawings to external parties.

上海康普曼传动机械有限公司 +86 021-61301856

KPM Power Transmission (Shanghai) Co.,Ltd Liang.Guo@kpmdrive.com.cn

NOM TORQUE	67 NM
NOM PRELOAD	285 KN
MAX PRELOAD CAPACITY	380 KN
LUBRICANT	G-N PLUS
TEMPERATURE RATING	-25 C~250 C

DESIGNED:	DATE:	2025.12.02	BSM-33X3.5	STATE:			
REVIEWED:	DATE:	2025.12.02					
DRAWN:	DATE:		DWG NO:	BS6 .531M	SHEET:	1:1	PRELIMINARY APPROVED

The dimensions at B and L positions are tailored to the customer's specific requests