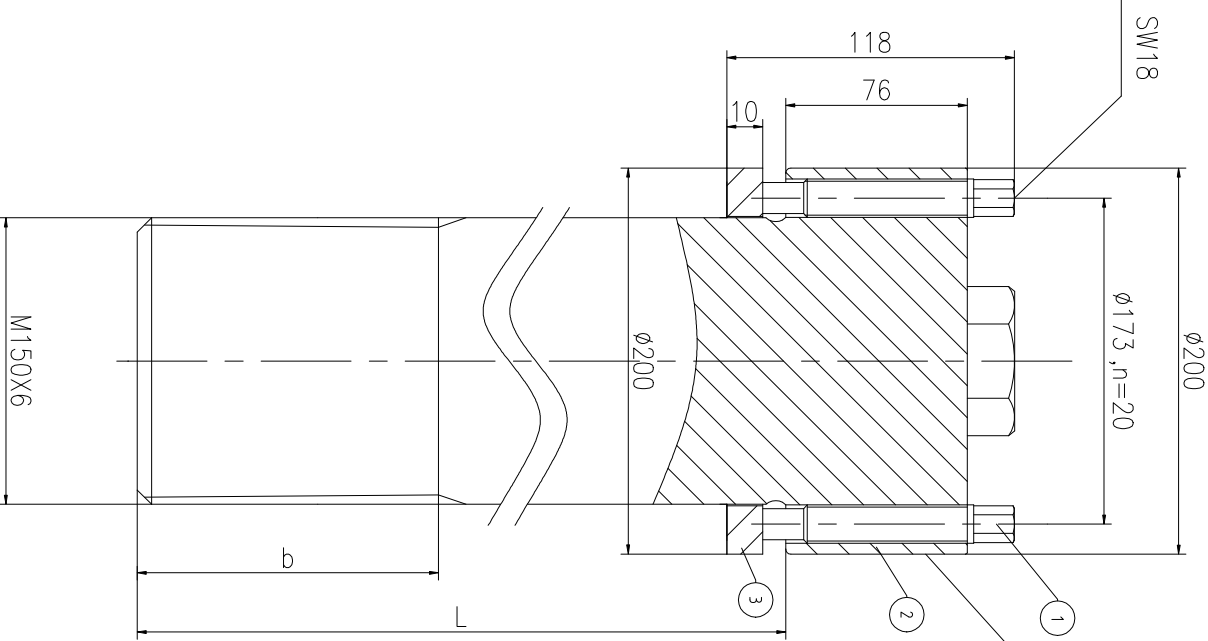
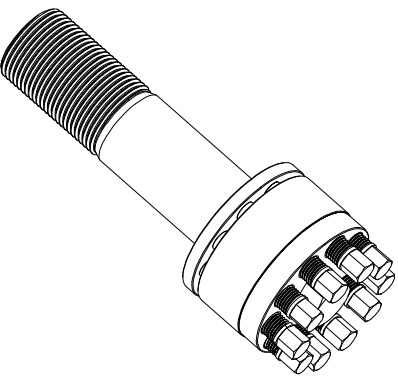
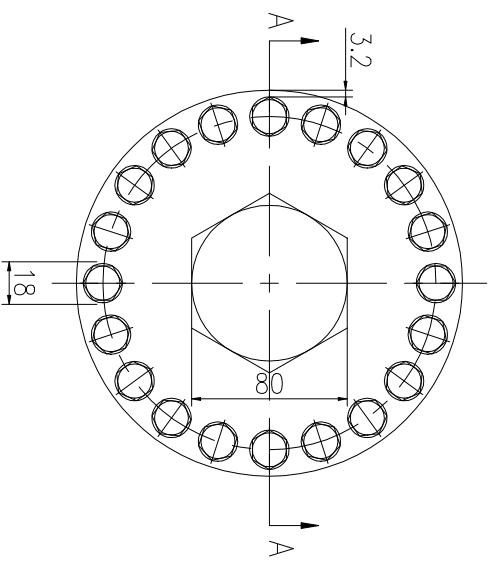


A-A



Logo
 PSN:model
 NO: drawing number
 NOM torque:**
 NOM preload:**
 MAX:max preload



PARTS LIST

PART	DWG NO.	QTY	DESCRIPTION	MATERIAL	WEIGHT(kg)
1	BS20.6161081	20	Bolt 13/16-16UN-108	CNMo	0.28 / pcs
2	BS1506101M-1	1	S-BOLT M150X6	CNMo	/
3	BS1506101M-3	1	Gasket 150.5X200X10	CNMo	1.07

During on-site installation, please adjust the torque in conjunction with the bolt stretching distance. Without our authorization, the drawings shall not be shared with any third party, and we reserve the right to pursue legal liability against those who disclose the drawings to external parties.

上海康普曼传动机械有限公司

+86 021-61301856

KPM Power Transmission (Shanghai) Co.,Ltd

Liang.Guo@kpmdrive.com.cn

DESIGNED:	DATE:	2025.12.02	BSM-150X6	DWG NO.: BS1506101M	SHEET: 1:1
REVIEWED:	DATE:	2025.12.02			
MAX PRELOAD CAPACITY	6500 KN				
LUBRICANT	G-N PLUS				
TEMPERATURE RATING	-25 C~250 C				

The dimensions at B and L positions are tailored to the customer's specific requests

REV	DESCRIPTION	DWG CHECK	APPR BY	APPR DATE

REVISION HISTORY