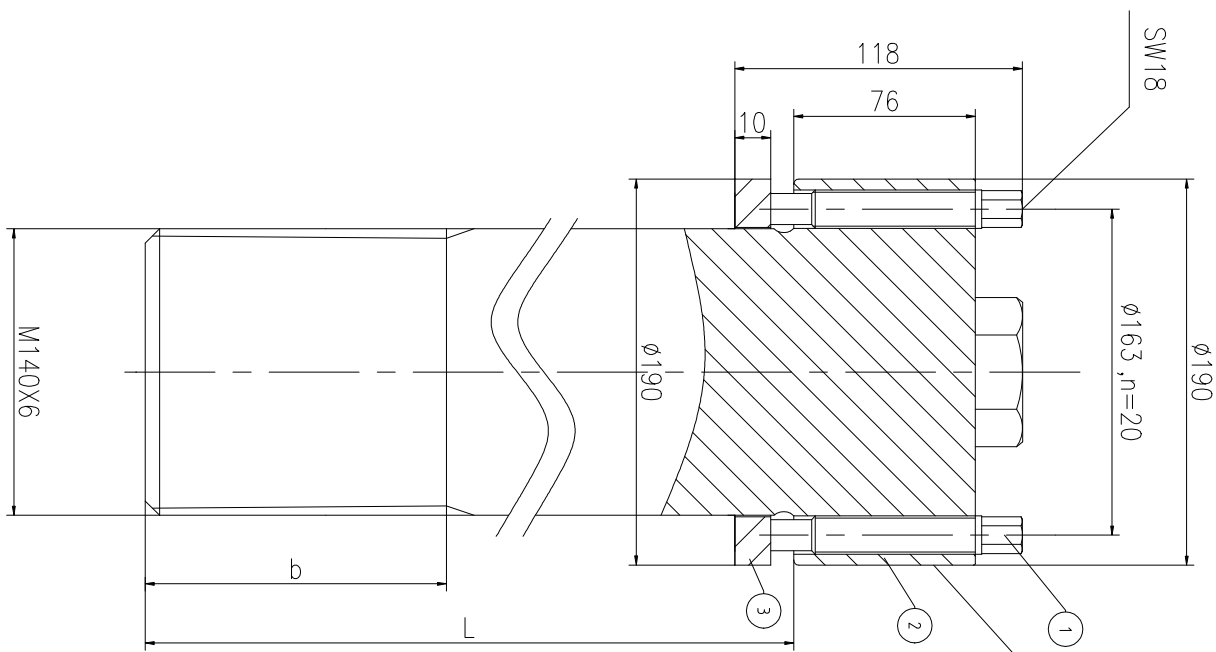
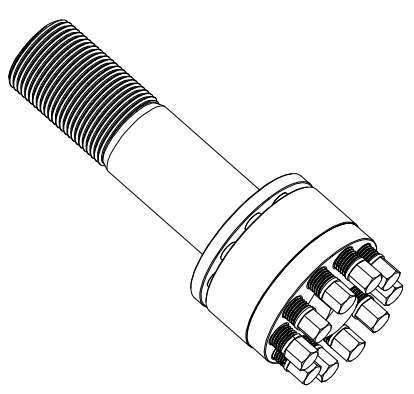
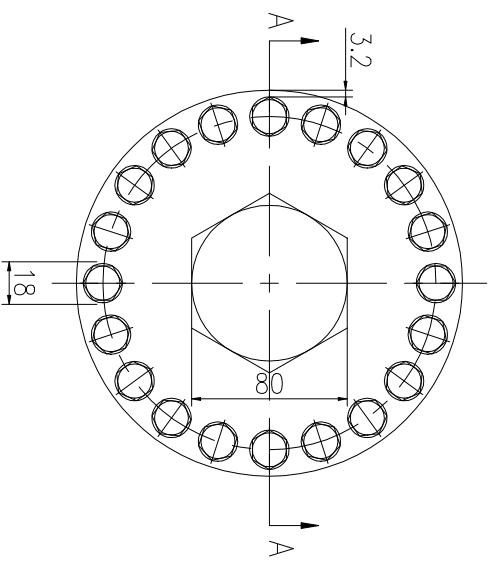


A-A



Logo  
 PSN:model  
 NO: drawing number  
 NOM torque:\*\*  
 NOM preload:\*\*  
 MAX:max preload



PARTS LIST

PART	DWG NO.	QTY	DESCRIPTION	MATERIAL	WEIGHT(kg)
1	BS20.6161081	20	Bolt 13/16-16UN-108	CNMMo	0.28 /pcs
2	BS1406101M-1	1	S-BOLT M140X6	CNMMo	/
3	BS1406101M-3	1	Gasket 140.5X190X10	CNMMo	1.01

During on-site installation, please adjust the torque in conjunction with the bolt stretching distance. Without our authorization, the drawings shall not be shared with any third party, and we reserve the right to pursue legal liability against those who disclose the drawings to external parties.

上海康普曼传动机械有限公司

+86 021-61301856

KPM Power Transmission (Shanghai) Co.,Ltd      Liang.Guo@kpmdrive.com.cn

NOM TORQUE	584 NM
NOM PRELOAD	4550 KN
MAX PRELOAD CAPACITY	6100 KN
LUBRICANT	G-N PLUS
TEMPERATURE RATING	-25 C~250 C

DESIGNED:	DATE:	2025.12.02	BSM-140X6	SHEET:	1:1
REVIEWED:	DATE:	2025.12.02			
DRAWN:	DATE:		DWG NO.:	BS1406101M	STATE:
					PRELIMINARY APPROVED

The dimensions at B and L positions are tailored to the customer's specific requests

REV	DESCRIPTION	DWG CHECK	APPR BY	APPR DATE

REVISION HISTORY