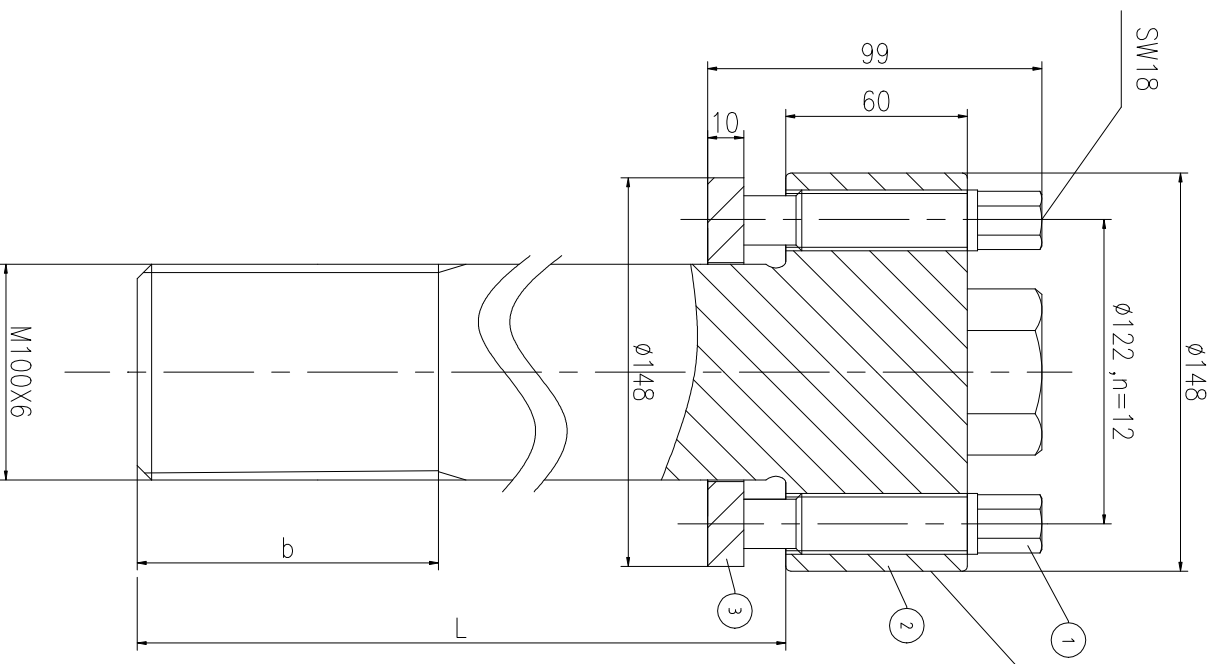
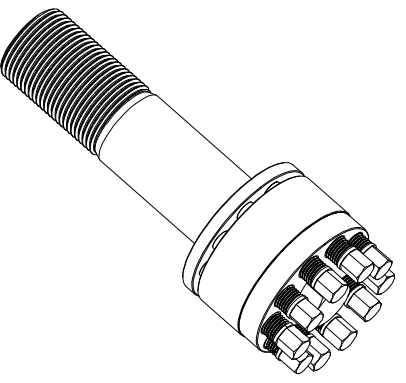
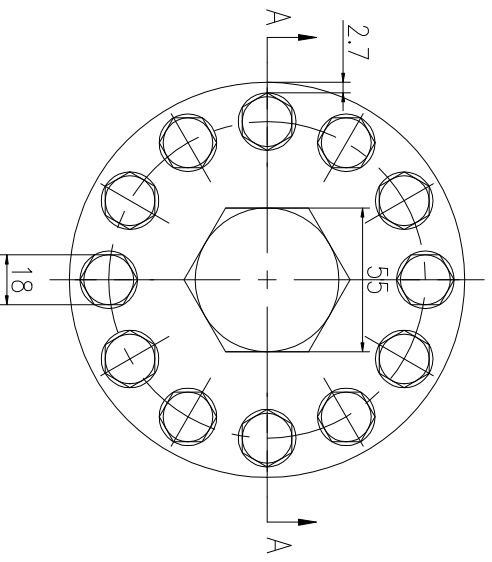


A-A



Logo
 PSN:model
 NO: drawing number
 NOM torque:**
 NOM preload:**
 MAX:max preload



PARTS LIST

PART	DWG NO.	QTY	DESCRIPTION	MATERIAL	WEIGHT(kg)
1	BBS17.516841	12	Bolt 13/16-16UN-84	CNMMo	0.23 /pcs
2	BS100661M-1	1	S-BOLT M100X6	CNMMo	/
3	BS100661M-3	1	Gasket 100.5X1.48X10	CNMMo	0.73

During on-site installation, please adjust the torque in conjunction with the bolt stretching distance. Without our authorization, the drawings shall not be shared with any third party, and we reserve the right to pursue legal liability against those who disclose the drawings to external parties.

上海康普曼传动机械有限公司

+86 021-61301856

KPM Power Transmission (Shanghai) Co.,Ltd

Liang.Guo@kpmdrive.com.cn

DESIGNED:	DATE:	2025.12.02	DWG NO.:	BS100661M	SHEET:	1:1
REVIEWED:	DATE:	2025.12.02	BSM-100X6		STATE:	PRELIMINARY APPROVED
DRAWN:	DATE:		DWG NO.:	BS100661M	WEIGHT:	/kg

The dimensions at B and L positions are tailored to the customer's specific requests

REV	DESCRIPTION	DWG CHECK	APPR BY	APPR DATE

REVISION HISTORY