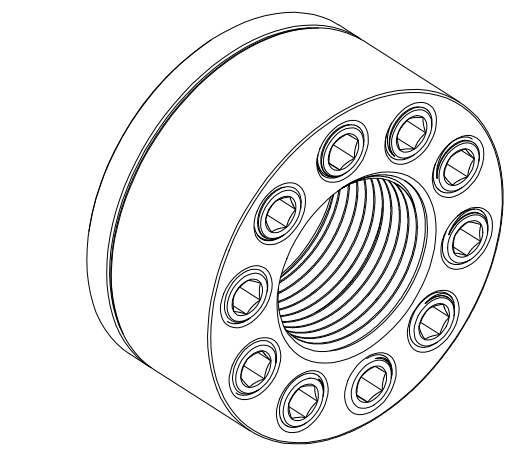
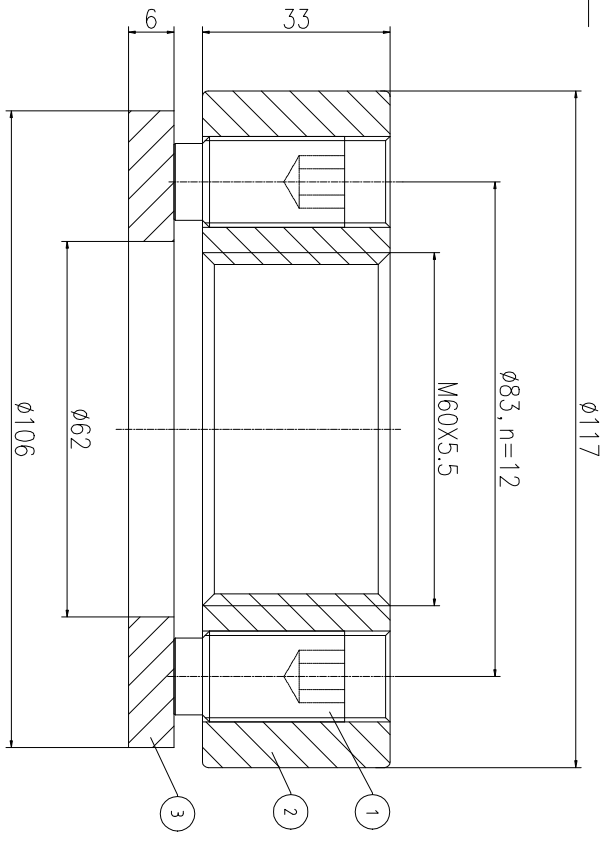
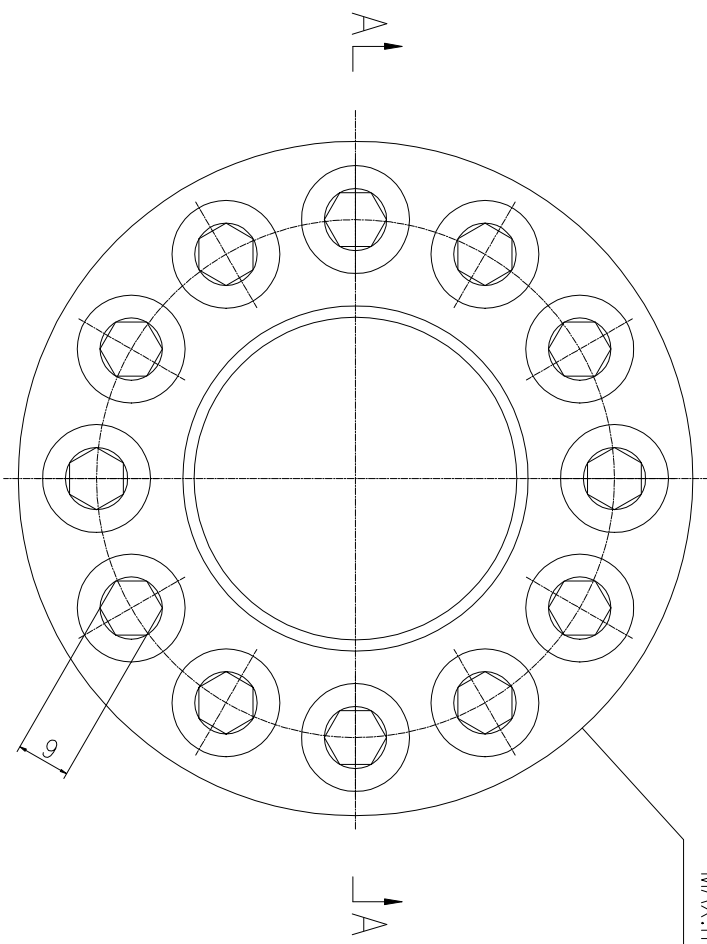


|        |          |            |             |              |
|--------|----------|------------|-------------|--------------|
| 1-6 Ø1 | >6-30 Ø2 | >30-120 Ø3 | >120-400 Ø4 | >400-1000 Ø8 |
|--------|----------|------------|-------------|--------------|

| REV | DESCRIPTION | DWG CHECK | APPR BY | APPR DATE |
|-----|-------------|-----------|---------|-----------|
|-----|-------------|-----------|---------|-----------|

Logo  
 PSN:model  
 NO:drawing number  
 NOM torque:\*\*  
 NOM preload:\*\*  
 MAX:max preload



|                      |             |
|----------------------|-------------|
| NOM TORQUE           | 570 NM      |
| NOM PRELOAD          | 760 KN      |
| MAX PRELOAD CAPACITY | 104 KN      |
| LUBRICANT            | G-N PLUS    |
| TEMPERATURE RATING   | -25 C~250 C |

| PARTS LIST |               | PART | DWG NO.         | QTY   | DESCRIPTION | MATERIAL | WEIGHT(kg) |
|------------|---------------|------|-----------------|-------|-------------|----------|------------|
| 1          | BCHS17.516301 | 12   | Bolt 11/16-16UN | CNMMo | 0.04 / pcs  |          |            |
| 2          | CHS605.561M-1 | 1    | Nut M60X5.5     | CNMMo | 1.98        |          |            |
| 3          | CHS605.561M-3 | 1    | Gasket 62X106X6 | CNMMo | 0.27        |          |            |

During on-site installation, please adjust the torque in conjunction with the bolt stretching distance. Without our authorization, the drawings shall not be shared with any third party, and we reserve the right to pursue legal liability against those who disclose the drawings to external parties.

|           |       |            |             |
|-----------|-------|------------|-------------|
| DESIGNED: | DATE: | 2025.12.01 | CHSM-60X5.5 |
| REVIEWED: | DATE: | 2025.12.01 |             |
| DRAWN:    | DATE: |            |             |

上海康普曼传动机械有限公司  
 KPM Power Transmission (Shanghai) Co.,Ltd  
 +86 021-61301856  
 Liang.Guo@kpmdrive.com.cn

|          |             |        |     |
|----------|-------------|--------|-----|
| DWG NO.: | CHS605.561M | SHEET: | 1:1 |
|----------|-------------|--------|-----|

WEIGHT: 2.74 kg  
 STATE: PRELIMINARY APPROVED