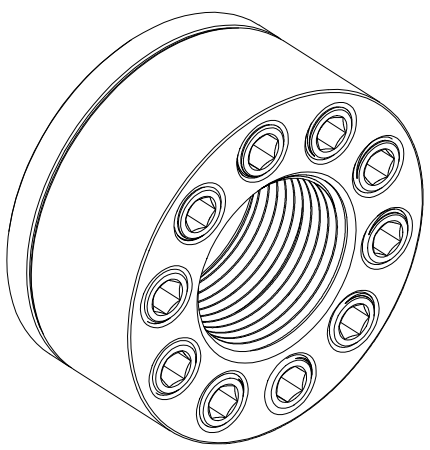
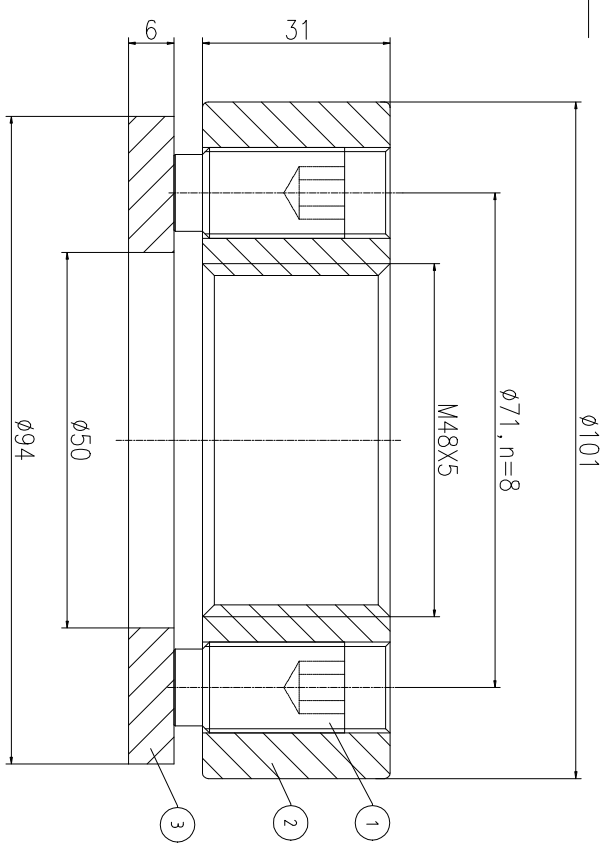
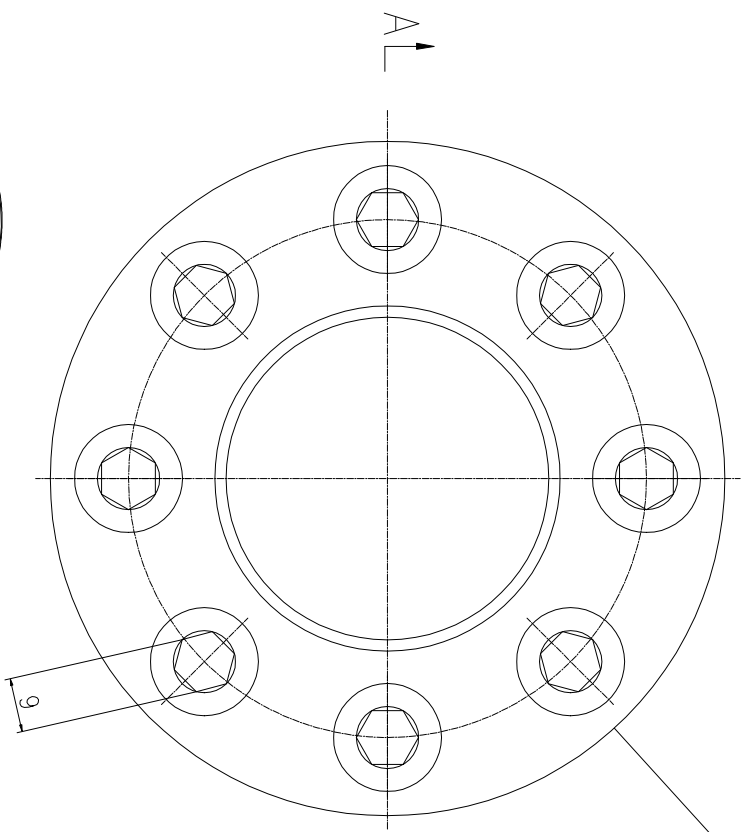


REV	DESCRIPTION	DWG CHECK	APPR BY	APPR DATE

REVISION HISTORY

Logo  
 PSN:model  
 NO:drawing number  
 NOM torque:\*\*  
 NOM preload:\*\*  
 MAX:max preload



PARTS LIST					
PART	DWG NO.	QTY	DESCRIPTION	MATERIAL	WEIGHT(kg)
1	BCHS17.516301	8	Bolt 11/16-16UN	CNMMo	0.04 / pcs
2	CHS48541M-1	1	Nut M48X5	CNMMo	1.45
3	CHS48541M-3	1	Gasket 50X94X6	CNMMo	0.23

During on-site installation, please adjust the torque in conjunction with the bolt stretching distance. Without our authorization, the drawings shall not be shared with any third party, and we reserve the right to pursue legal liability against those who disclose the drawings to external parties.

NOM TORQUE	380 NM
NOM PRELOAD	500 KN
MAX PRELOAD CAPACITY	104 KN
LUBRICANT	G-N PLUS
TEMPERATURE RATING	-25 C~250 C

上海康普曼传动机械有限公司		+86 021-61301856	
KPM Power Transmission (Shanghai) Co.,Ltd		Liang.Guo@kpmdrive.com.cn	
DESIGNED:	DATE: 2025.12.01	CHSM-48X5	SHEET: 1:1
REVIEWED:	DATE: 2025.12.01		
DRAWN:	DATE:	DWG NO: CHS48541M	STATE: PRELIMINARY APPROVED