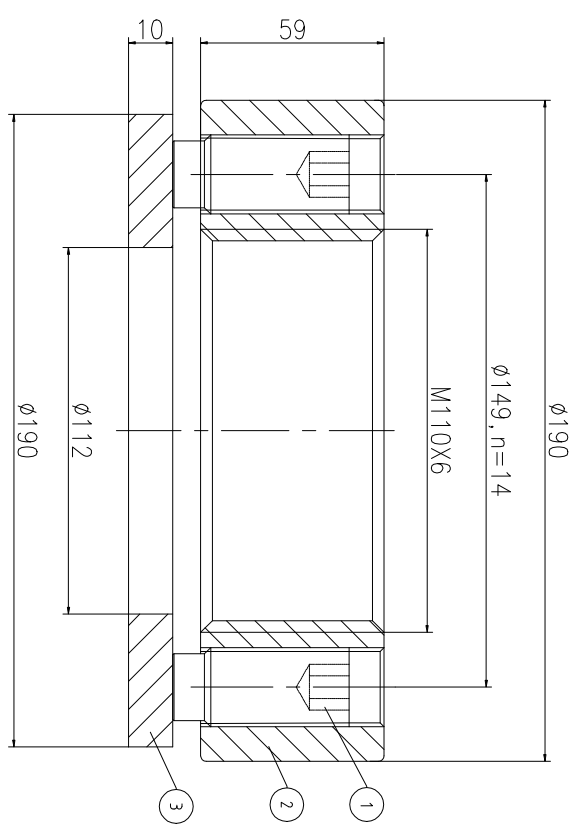
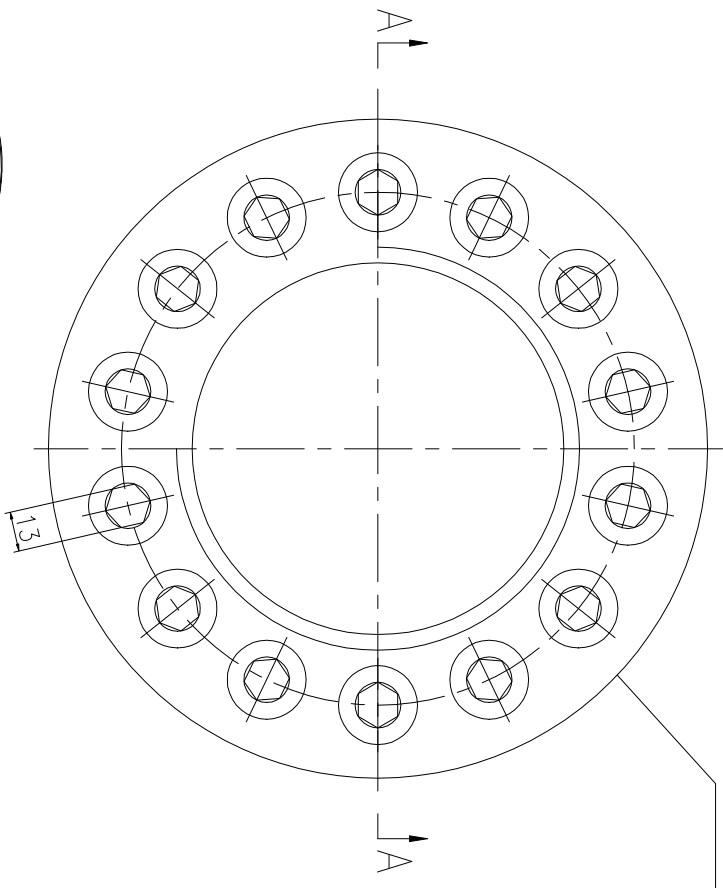


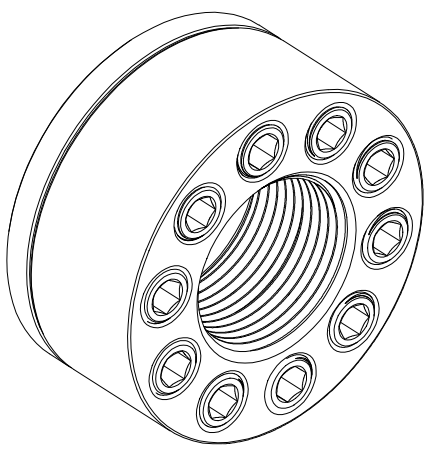
REV	DESCRIPTION	DWG CHECK	APPR BY	APPR DATE

REVISION HISTORY

Logo  
 PSN:model  
 NO:drawing number  
 NOM torque:\*\*  
 NOM preload:\*\*  
 MAX:max preload



A-A



NOM TORQUE	1350 NM
NOM PRELOAD	1780 KN
MAX PRELOAD CAPACITY	307 KN
LUBRICANT	G-N PLUS
TEMPERATURE RATING	-25 C~250 C

PARTS LIST		MATERIAL	WEIGHT(kg)		
PART	DWG NO.	QTY	DESCRIPTION	MATERIAL	WEIGHT(kg)
1	BCHS25.412581	14	Boit 1-12UNF	CNMMo	0.19 / pcs
2	CHS110671M-1	1	Nut M110X6	CNMMo	8.48
3	CHS110671M-3	1	Gasket 112X190X10	CNMMo	1.44

During on-site installation, please adjust the torque in conjunction with the bolt stretching distance. Without our authorization, the drawings shall not be shared with any third party, and we reserve the right to pursue legal liability against those who disclose the drawings to external parties.

上海康普曼传动机械有限公司  
 KPM Power Transmission (Shanghai) Co.,Ltd  
 +86 021-61301856  
 Liang.Guo@kpmdrive.com.cn

DESIGNED: DATE: 2025.12.01  
 REVIEWED: DATE: 2025.12.01  
 DRAWN: DATE: 2025.12.01

DWG NO: CHSM-110X6  
 CHS110671M

WEIGHT: 12.95 kg  
 STATE: PRELIMINARY APPROVED