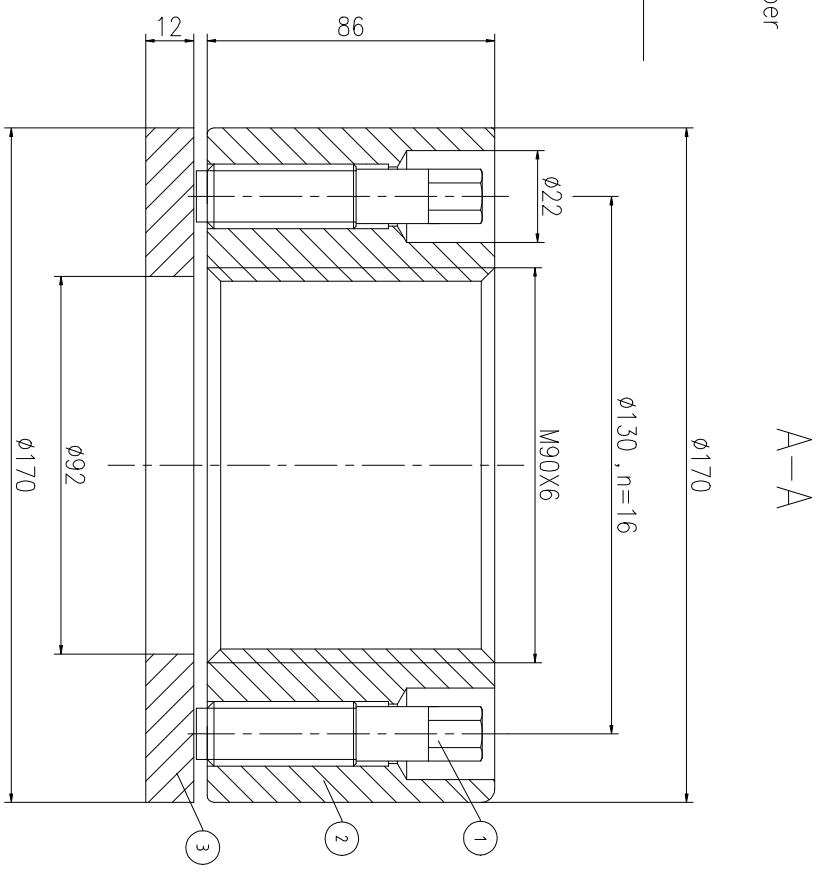
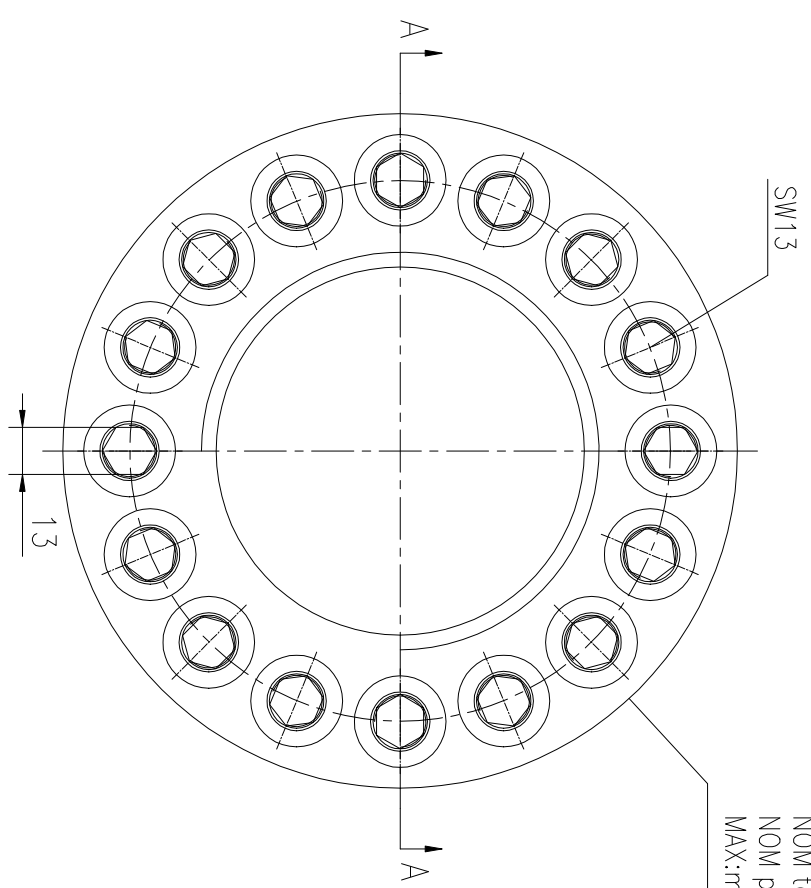


REV	DESCRIPTION	DWG CHECK	APPR BY	APPR DATE

REVISION HISTORY

Logo
 PSN:model
 NO: drawing number
 NOM torque:**
 NOM preload:**
 MAX:max preload



PARTS LIST

PART	DWG NO.	QTY	DESCRIPTION	MATERIAL	WEIGHT(kg)
1	BCHH17.516801	16	Bolt 11/16-16UN-80	CNMMo	0.12 / pcs
2	CHH90681M-1	1	Nut M90X6	CNMMo	9.07
3	CHH90681M-3	1	Gasket 92X170X12	CNMMo	1.51

During on-site installation, please adjust the torque in conjunction with the bolt stretching distance. Without our authorization, the drawings shall not be shared with any third party, and we reserve the right to pursue legal liability against those who disclose the drawings to external parties.

上海康普曼传动机械有限公司
 KPM Power Transmission (Shanghai) Co.,Ltd
 +86 021-61301856
 Liang.Guo@kpmdrive.com.cn

NOM TORQUE	250 NM
NOM PRELOAD	1830 KN
MAX PRELOAD CAPACITY	2440 KN
LUBRICANT	G-N PLUS
TEMPERATURE RATING	-25 C~250 C
DESIGNED:	DATE: 2025.12.01
REVIEWED:	DATE: 2025.12.01
DRAWN:	DATE:
DWG NO:	CHHM-90X6
DWG NO:	CHH90681M
WEIGHT:	12.53 kg
STATE:	PRELIMINARY APPROVED

