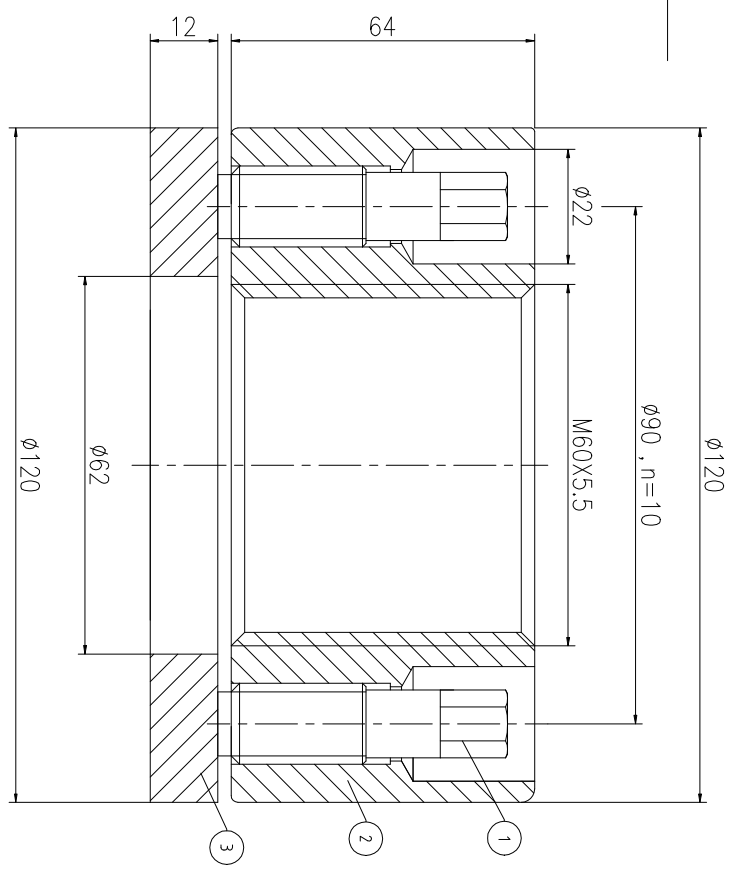
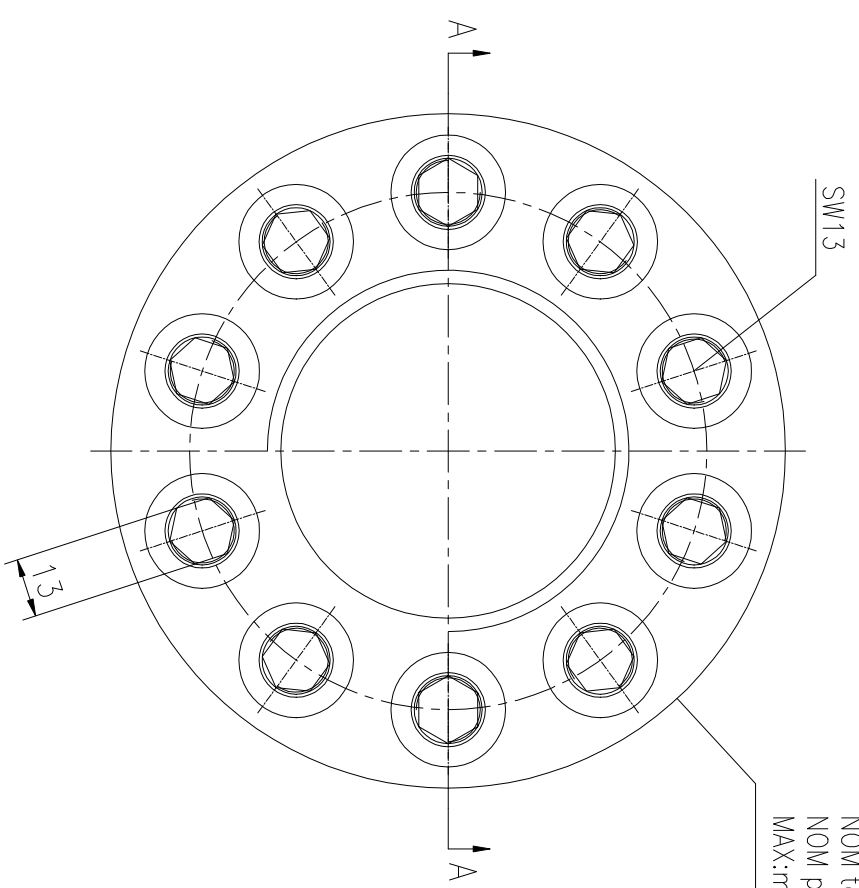


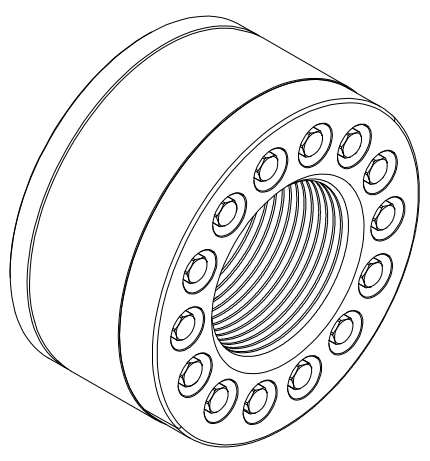
REV	DESCRIPTION	DWG CHECK	APPR BY	APPR DATE

REVISION HISTORY

Logo
 PSN:model
 NO:drawing number
 NOM torque:**
 NOM preload:**
 MAX:max preload



A-A



NOM TORQUE	250 NM
NOM PRELOAD	1140 KN
MAX PRELOAD CAPACITY	1520 KN
LUBRICANT	G-N PLUS
TEMPERATURE RATING	-25 C~250 C

PART	DWG NO.	QTY	DESCRIPTION	MATERIAL	WEIGHT(kg)
1	BCHH17.516641	10	Bolt 11/16-16UN-64	CNMMo	0.10 / pcs
2	CHH605.551M-1	1	Nut M60X5.5	CNMMo	3.28
3	CHH605.551M-3	1	Gasket 62X120X12	CNMMo	0.78

During on-site installation, please adjust the torque in conjunction with the bolt stretching distance. Without our authorization, the drawings shall not be shared with any third party, and we reserve the right to pursue legal liability against those who disclose the drawings to external parties.

上海康普曼传动机械有限公司
 KPM Power Transmission (Shanghai) Co.,Ltd
 +86 021-61301856
 Liang.Guo@kpmdrive.com.cn
 DESIGNED: DATE: 2025.12.01
 REVIEWED: DATE: 2025.12.01
 DRAWN: DATE: 2025.12.01
 DWG NO: CHH605.551M
 SHEET: 1:1
 CHHM-60X5.5
 STATE: PRELIMINARY APPROVED