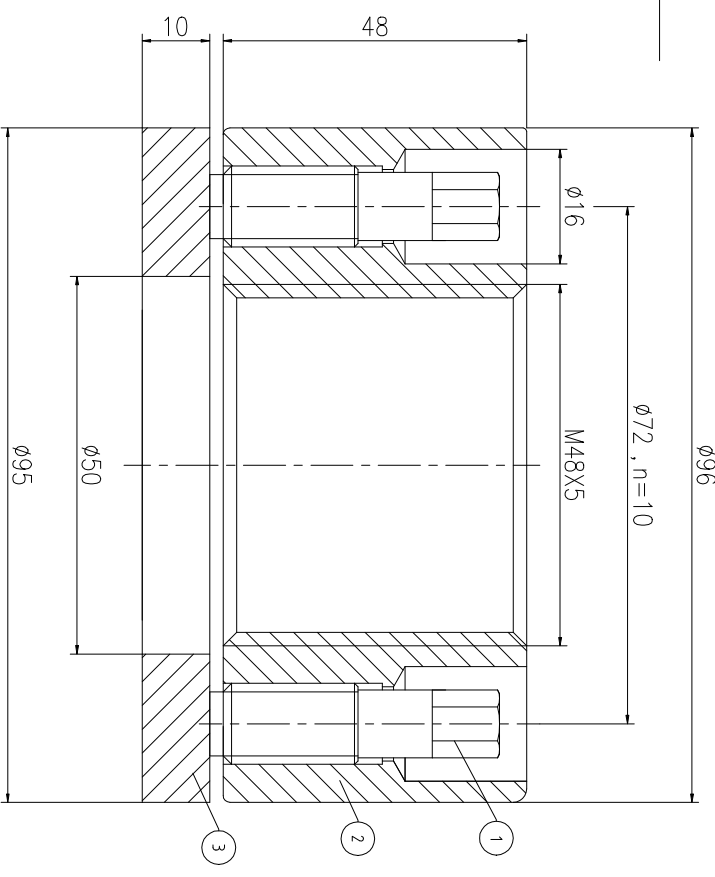
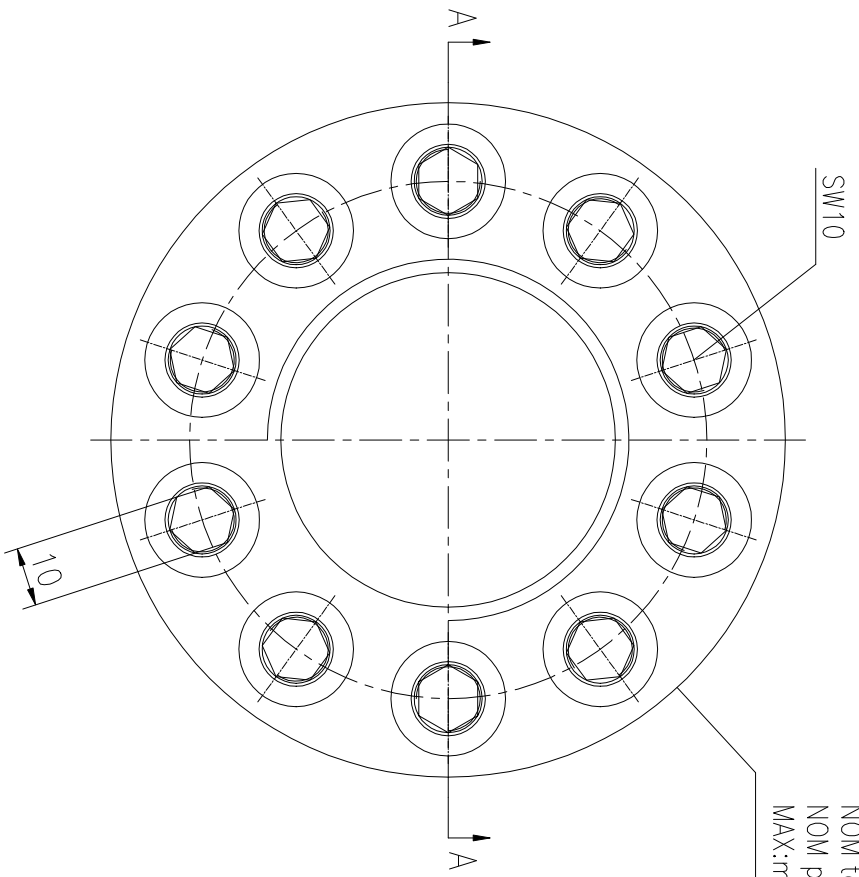
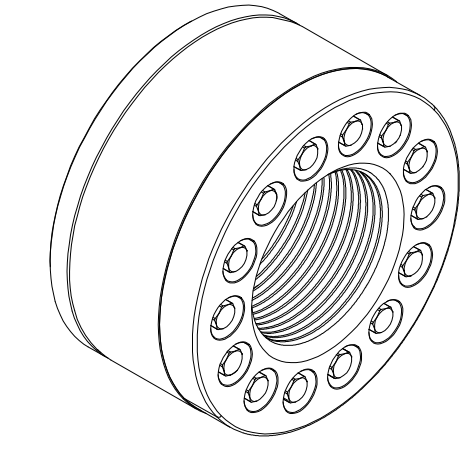


Logo  
 PSN:model  
 NO:drawing number  
 NOM torque:\*\*  
 NOM preload:\*\*  
 MAX:max preload



A—A



NOM TORQUE	101 NM
NOM PRELOAD	640 KN
MAX PRELOAD CAPACITY	840 KN
LUBRICANT	G-N PLUS
TEMPERATURE RATING	-25 C~250 C

PARTS LIST		MATERIAL	WEIGHT(kg)
1	BCHH12.720451	10 Bolt 1/2-20UNF-45	CNMMo 0.04 / pcs
2	CHH48551M-1	1 Nut M48X5	CNMMo 1.65
3	CHH48551M-3	1 Gasket 50X95X10	CNMMo 0.40

During on-site installation, please adjust the torque in conjunction with the bolt stretching distance. Without our authorization, the drawings shall not be shared with any third party, and we reserve the right to pursue legal liability against those who disclose the drawings to external parties.

DESIGNED:	DATE:	2025.12.01	CHHM-48X5
REVIEWED:	DATE:	2025.12.01	
DRAWN:	DATE:		DWG NO.: CHH48551M

上海康普曼传动机械有限公司  
 KPM Power Transmission (Shanghai) Co.,Ltd  
 +86 021-61301856  
 Liang.Guo@kpmdrive.com.cn

WEIGHT: 2.45 kg  
 STATE: PRELIMINARY APPROVED