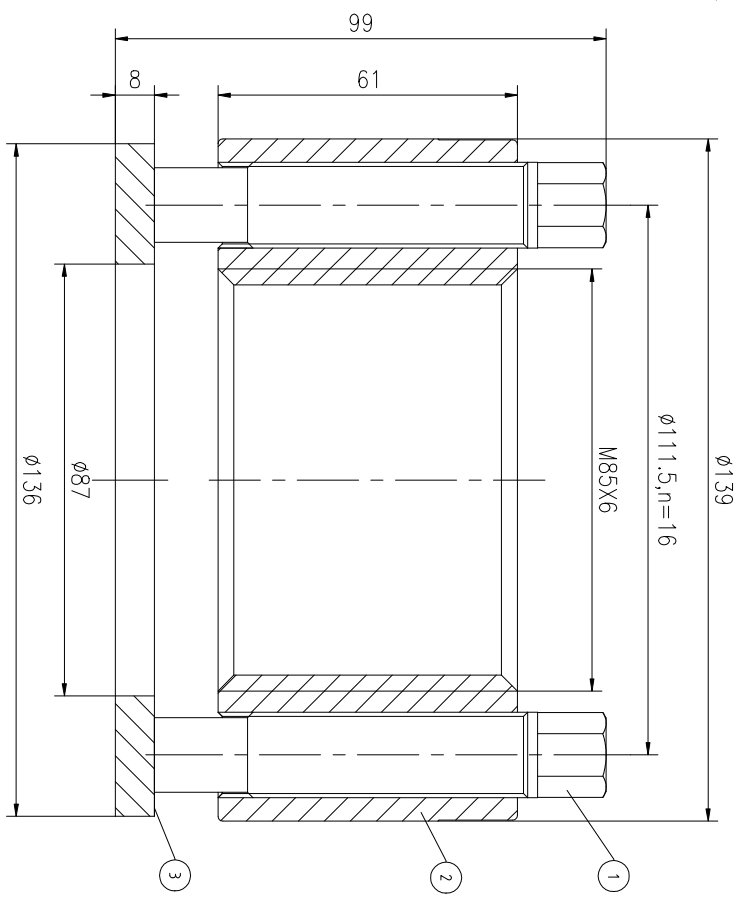
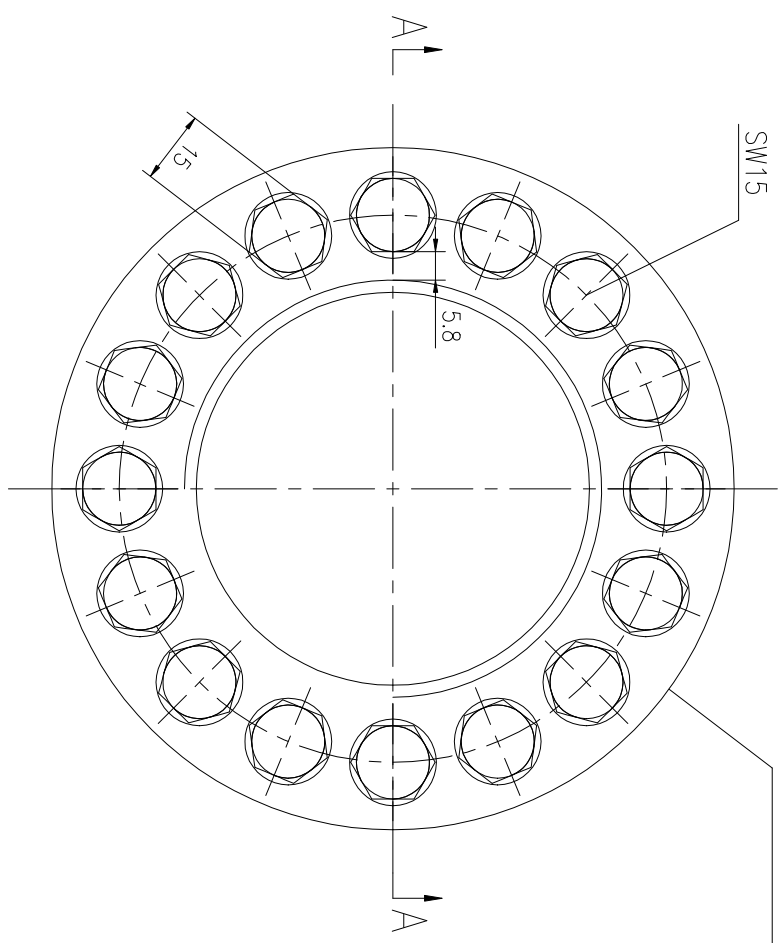


Logo
 PSN:model
 NO:drawing number
 NOM torque:**
 NOM preload:**
 MAX:max preload



PARTS LIST

PART	DWG NO.	QTY	DESCRIPTION	MATERIAL	WEIGHT(kg)
1	BAS17.516911	16	Bolt 11/16-16UN	CNMMo	0.17/pos
2	AS85681H-1	1	Nut M85X6	CNMMo	3.05
3	AS85681H-3	1	Gasket 87X136X8	CNMMo	0.55

During on-site installation, please adjust the torque in conjunction with the bolt stretching distance. Without our authorization, the drawings shall not be shared with any third party, and we reserve the right to pursue legal liability against those who disclose the drawings to external parties.

上海康普曼传动机械有限公司
 KPM Power Transmission (Shanghai) Co.,Ltd
 +86 021-61301856
 Liang.Guo@kpmdrive.com.cn

NOM TORQUE	352NM
NOM PRELOAD	2530KN
MAX PRELOAD CAPACITY	3370KN
LUBRICANT	G-N PLUS
TEMPERATURE RATING	-25 C ~250 C°

DESIGNED: DATE: 2025.11.03	ASH-85X6	DWG NO.: AS85681H	SHEET: 1:1
REVIEWED: DATE: 2025.11.03			
DRAWN: DATE:		PRELIMINARY APPROVED	

