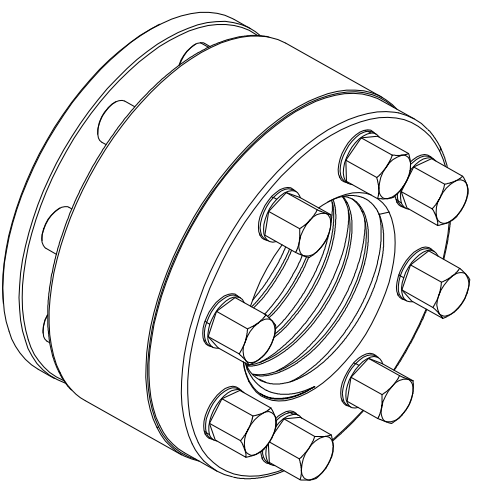
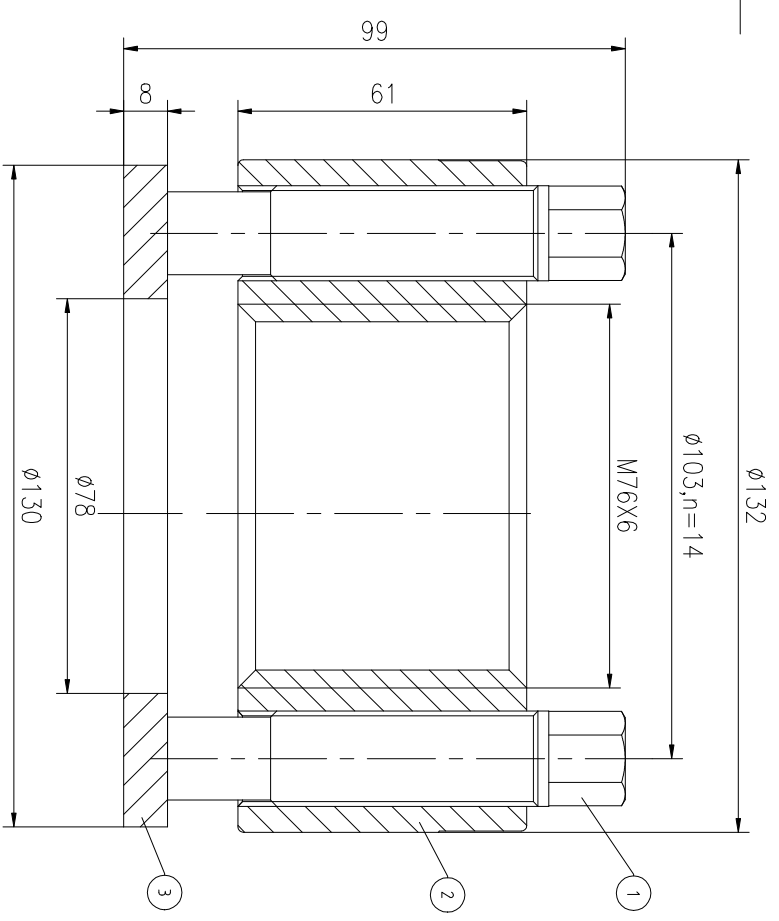
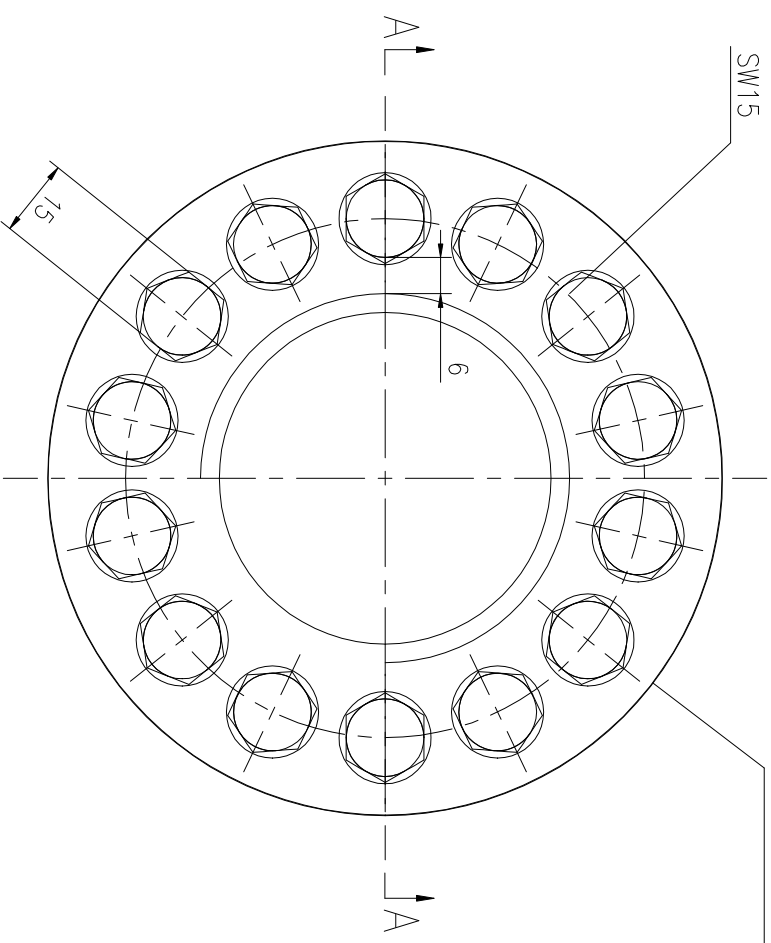


Logo
 PSN:model
 NO:drawing number
 NOM torque:**
 NOM preload:**
 MAX:max preload



PARTS LIST

PART	DWG NO.	QTY	DESCRIPTION	MATERIAL	WEIGHT(kg)
1	BAS17.516911	14	Bolt 11/16-16UN	CNMo	0.17/pcs
2	AS76671H-1	1	Nut M76X6	CNMo	3.00
3	AS76671H-3	1	Gasket 78X130X8	CNMo	0.53

During on-site installation, please adjust the torque in conjunction with the bolt stretching distance. Without our authorization, the drawings shall not be shared with any third party, and we reserve the right to pursue legal liability against those who disclose the drawings to external parties.

NOM TORQUE	352NM	DESIGNED:	DATE:	2025.11.03	ASH-76X6	DWG NO.: AS76671H	SHEET: 1:1
NOM PRELOAD	2260KN	REVIEWED:	DATE:	2025.11.03			
MAX PRELOAD CAPACITY	2950KN	TEMPERATURE RATING	-25 C ~250 C°				
LUBRICANT	G-N PLUS	上海康普曼传动机械有限公司 KPM Power Transmission (Shanghai) Co.,Ltd +86 021-61301856 Liang.Guo@kpmdrive.com.cn					