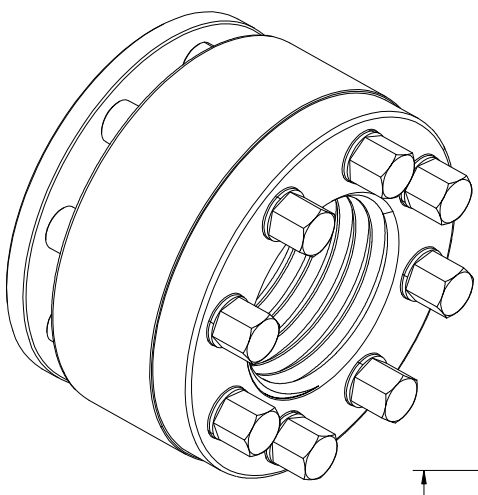
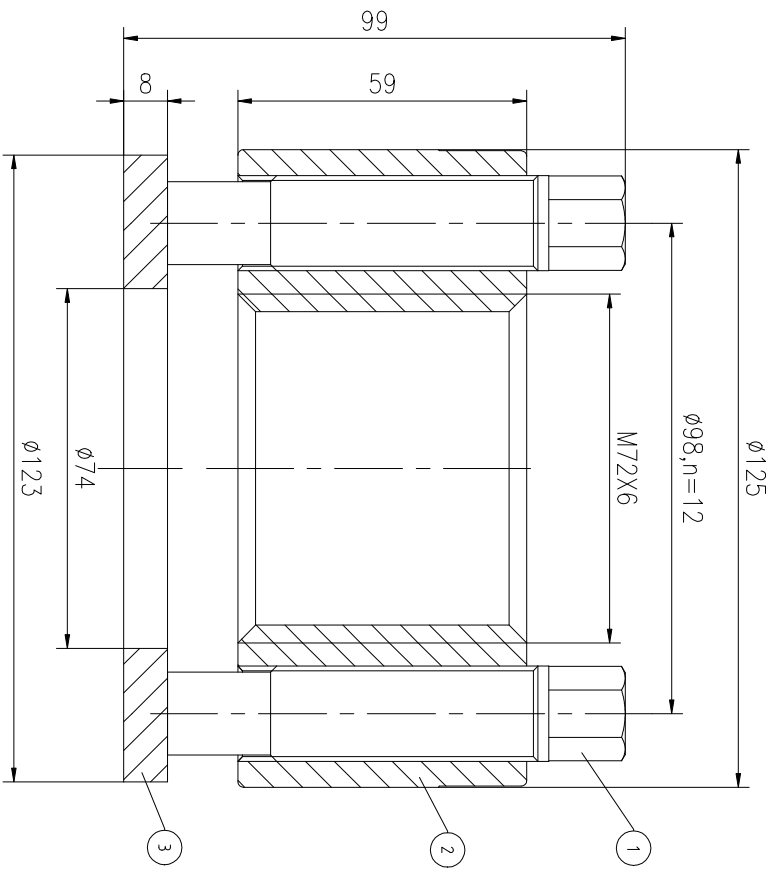
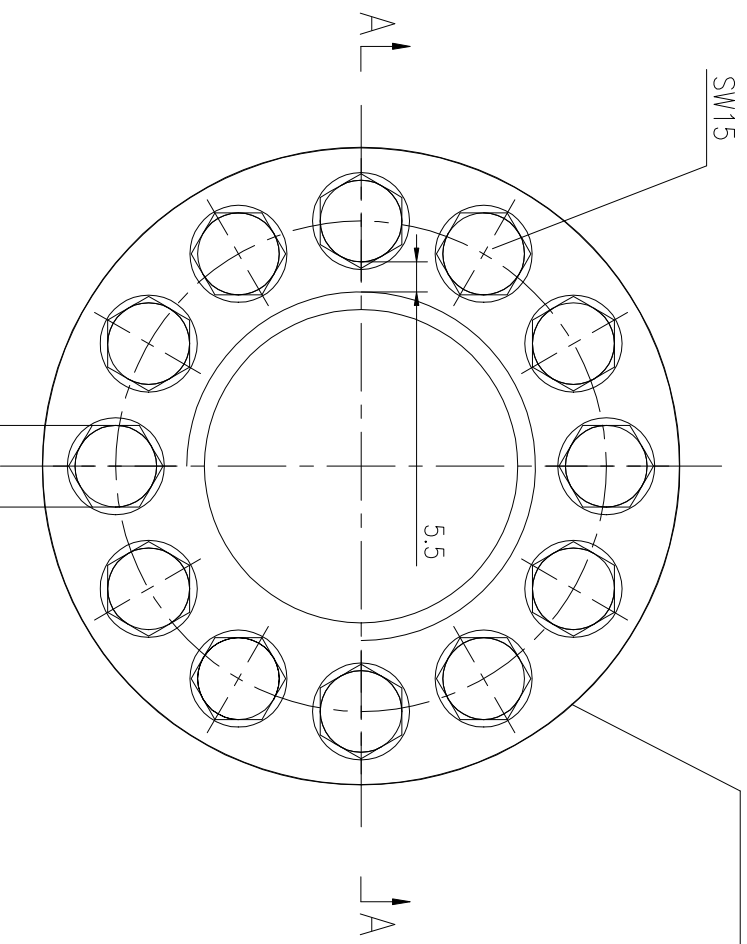


Logo
 PSN:model
 NO:drawing number
 NOM torque:**
 NOM preload:**
 MAX:max preload



| | |
|----------------------|---------------|
| NOM TORQUE | 352NM |
| NOM PRELOAD | 1900KN |
| MAX PRELOAD CAPACITY | 2530KN |
| LUBRICANT | G-N PLUS |
| TEMPERATURE RATING | -25 C ~250 C° |

| | | | |
|-----------|-------|------------|-------------------|
| DESIGNED: | DATE: | 2025.11.03 | ASH-72X6 |
| REVIEWED: | DATE: | 2025.11.03 | |
| DRAWN: | DATE: | | DWG NO.: AS72661H |

| PART | DWG NO. | QTY | DESCRIPTION | MATERIAL | WEIGHT(kg) |
|------|--------------|-----|-----------------|----------|------------|
| 1 | BAS17.516911 | 12 | Bolt 11/16-16UN | CNMo | 0.17/pos |
| 2 | AS72661H-1 | 1 | Nut M72X6 | CNMo | 2.72 |
| 3 | AS72661H-3 | 1 | Gasket 74X123X8 | CNMo | 0.48 |

During on-site installation, please adjust the torque in conjunction with the bolt stretching distance. Without our authorization, the drawings shall not be shared with any third party, and we reserve the right to pursue legal liability against those who disclose the drawings to external parties.