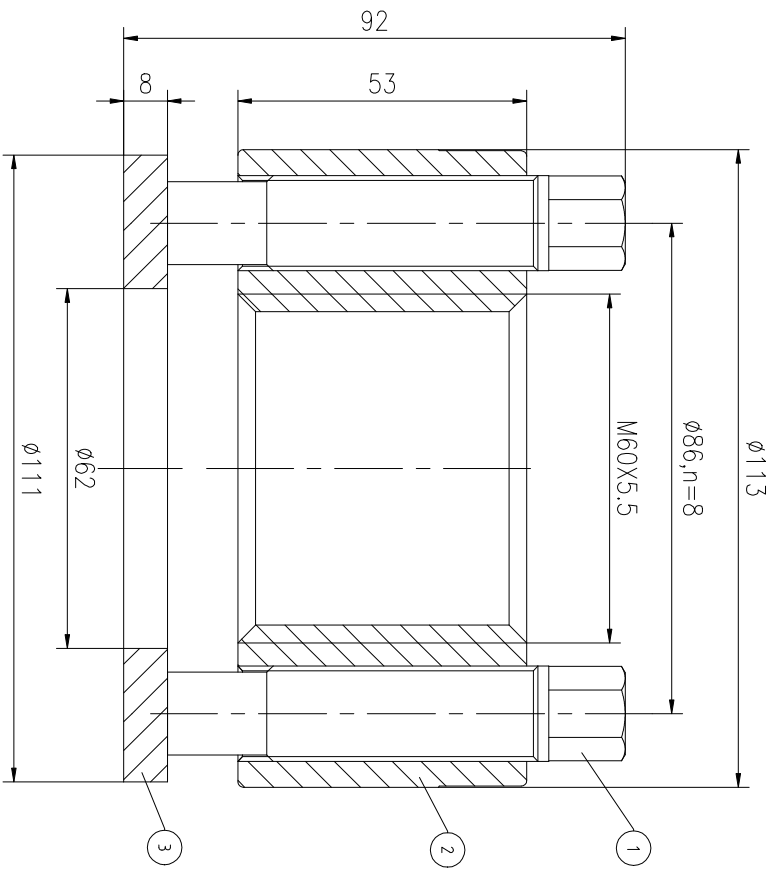
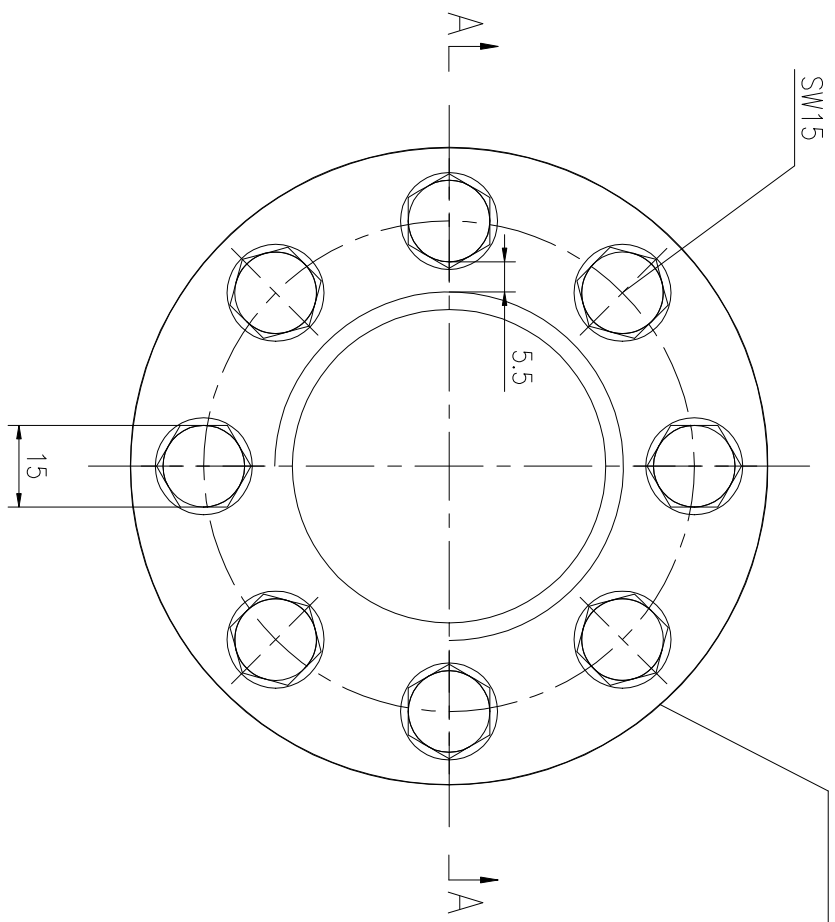


Logo
 PSN:model
 NO:drawing number
 NOM torque:**
 NOM preload:**
 MAX:max preload

A-A



NOM TORQUE	352NM
NOM PRELOAD	1270KN
MAX PRELOAD CAPACITY	1690KN
LUBRICANT	G-N PLUS
TEMPERATURE RATING	-25 C ~250 C°

PARTS LIST		PART	DWG NO.	QTY	DESCRIPTION	MATERIAL	WEIGHT(kg)
1	BAS17.516841	8	Bolt 11/16-16UN-84	CNMMo	0.16/pos		
2	AS605.541H-1	1	Nut M60X5.5	CNMMo	2.35		
3	AS605.541H-3	1	Gasket 62X111X8	CNMMo	0.42		

During on-site installation, please adjust the torque in conjunction with the bolt stretching distance. Without our authorization, the drawings shall not be shared with any third party, and we reserve the right to pursue legal liability against those who disclose the drawings to external parties.

上海康普曼传动机械有限公司		+86 021-61301856	
KPM Power Transmission (Shanghai) Co.,Ltd		Liang.Guo@kpmdrive.com.cn	
DESIGNED:	DATE: 2025.11.03	ASH-60X5.5	WEIGHT: 4.03kg
REVIEWED:	DATE: 2025.11.03		
DRAWN:	DATE:	DWG NO.: AS605.541H	SHEET: 1:1
		PRELIMINARY APPROVED	

