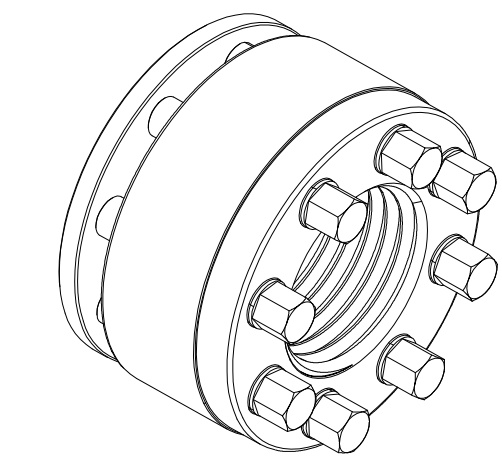
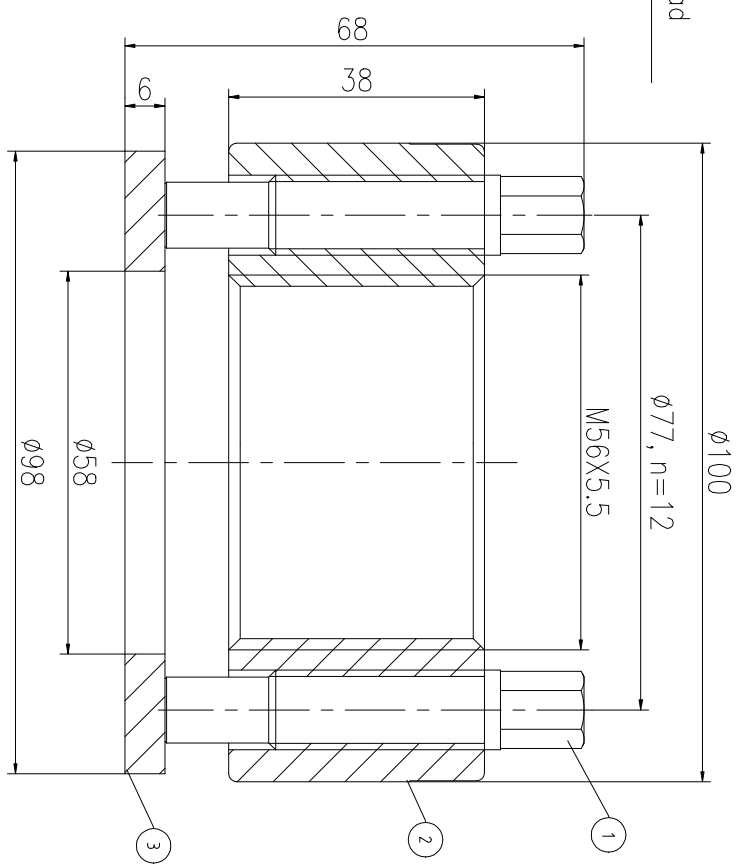
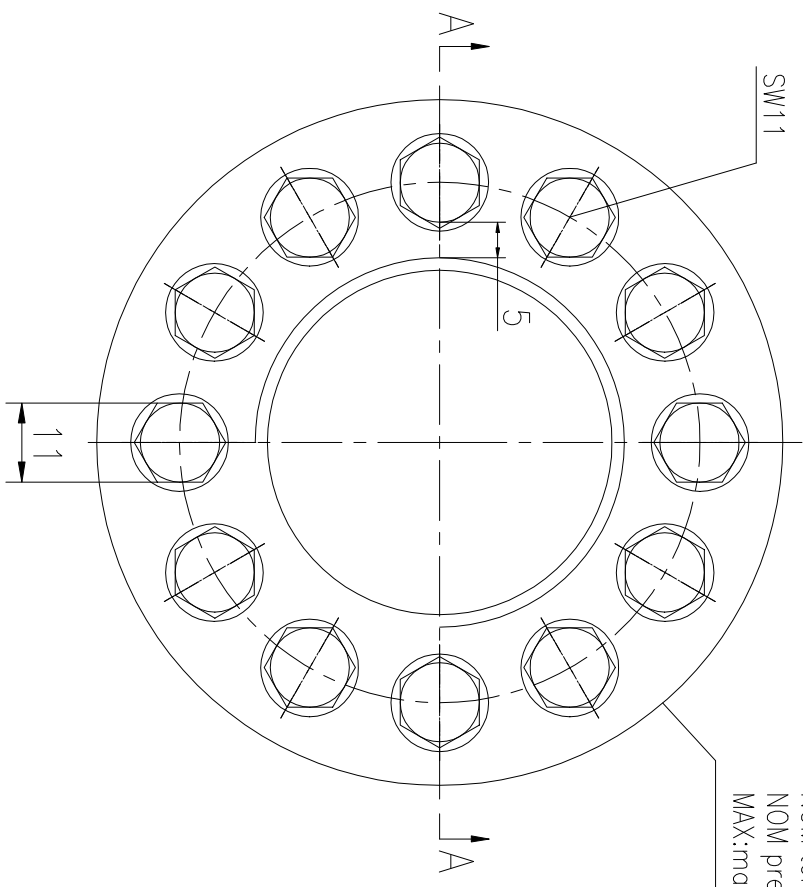


| REV | DESCRIPTION | DWG CHECK | APPR BY | APPR DATE |
|-----|-------------|-----------|---------|-----------|
| | | | | |

REVISION HISTORY

Logo
 PSN:model
 NO:drawing number
 NOM torque:**
 NOM preload:**
 MAX:max preload

A-A



| | |
|----------------------|---------------|
| NOM TORQUE | 141NM |
| NOM PRELOAD | 1050KN |
| MAX PRELOAD CAPACITY | 1400KN |
| LUBRICANT | G-N PLUS |
| TEMPERATURE RATING | -25 C~250 C ° |

| | | | |
|---|------------------|---------------------------|------------|
| 上海康普曼传动机械有限公司 | | +86 021-61301856 | |
| KPM Power Transmission (Shanghai) Co.,Ltd | | Liang.Guo@kpmdrive.com.cn | |
| DESIGNED: | DATE: 2025.11.06 | ASH-56X5.5 | SHEET: 1:1 |
| REVIEWED: | DATE: 2025.11.06 | | |
| DRAWN: | DATE: | | |
| DWG NO.: | AS565.561H | PRELIMINARY APPROVED | |

| PARTS LIST | | | | MATERIAL | WEIGHT(kg) |
|------------|--------------|-----|----------------|----------|------------|
| PART | DWG NO. | QTY | DESCRIPTION | CNMMo | 0.06/pos |
| 1 | BAS12.720623 | 12 | Bolt 1/2-20UNF | CNMMo | 1.25 |
| 2 | AS565.561H-1 | 1 | Nut M56X5.5 | CNMMo | 0.23 |
| 3 | AS565.561H-3 | 1 | Gasket 58X98X6 | CNMMo | 0.23 |

During on-site installation, please adjust the torque in conjunction with the bolt stretching distance. Without our authorization, the drawings shall not be shared with any third party, and we reserve the right to pursue legal liability against those who disclose the drawings to external parties.