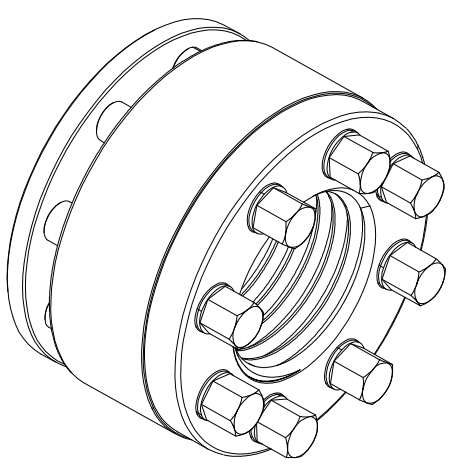
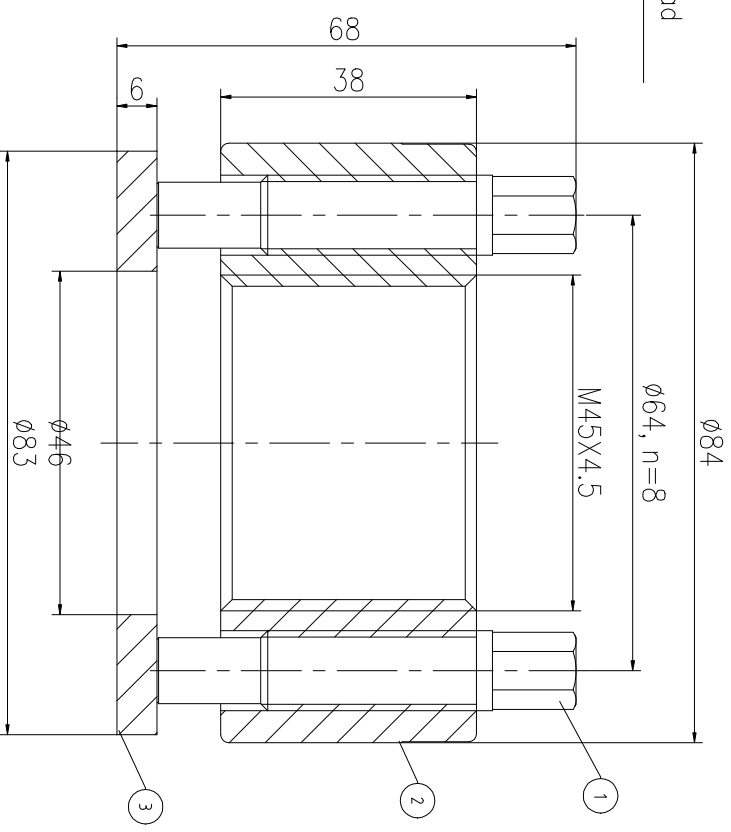
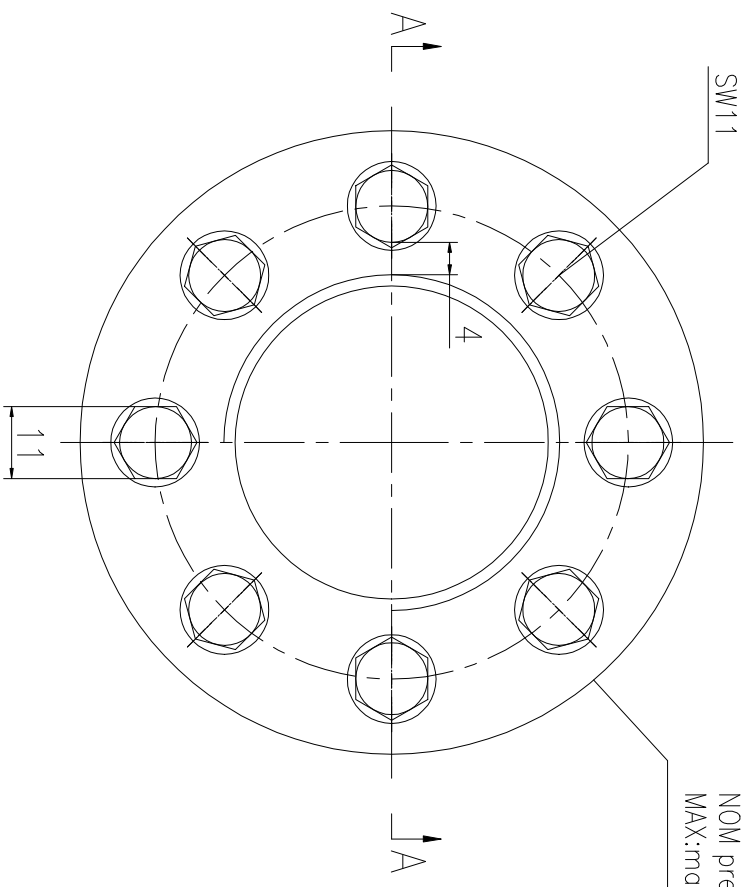


REV	DESCRIPTION	DWG CHECK	APPR BY	APPR DATE

REVISION HISTORY

Logo  
 PSN:model  
 NO:drawing number  
 NOM torque:\*\*  
 NOM preload:\*\*  
 MAX:max preload

A-A



PART	DWG NO.	QTY	DESCRIPTION	MATERIAL	WEIGHT(kg)
1	BAS12.720623	8	Bolt 1/2-20UNF	CNMMo	0.06/pos
2	AS454.541H-1	1	Nut M45X4.5	CNMMo	0.94
3	AS454.541H-3	1	Gasket 46X83X6	CNMMo	0.17

During on-site installation, please adjust the torque in conjunction with the bolt stretching distance. Without our authorization, the drawings shall not be shared with any third party, and we reserve the right to pursue legal liability against those who disclose the drawings to external parties.

NOM TORQUE	141NM	上海康普曼传动机械有限公司	+86 021-61301856
NOM PRELOAD	700KN	KPM Power Transmission (Shanghai) Co.,Ltd	Liang.Guo@kpmdrive.com.cn
MAX PRELOAD CAPACITY	935KN	DESIGNED: DATE: 2025.11.06	ASH-45X4.5
LUBRICANT	G-N PLUS	REVIEWED: DATE: 2025.11.06	DWG NO.: AS454.541H
TEMPERATURE RATING	-25 C~250 C	DRAWN: DATE:	SHEET: 1:1

WEIGHT: 1.6kg  
 STATE: PRELIMINARY APPROVED