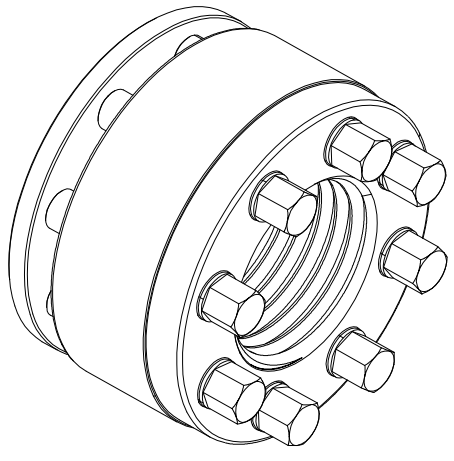
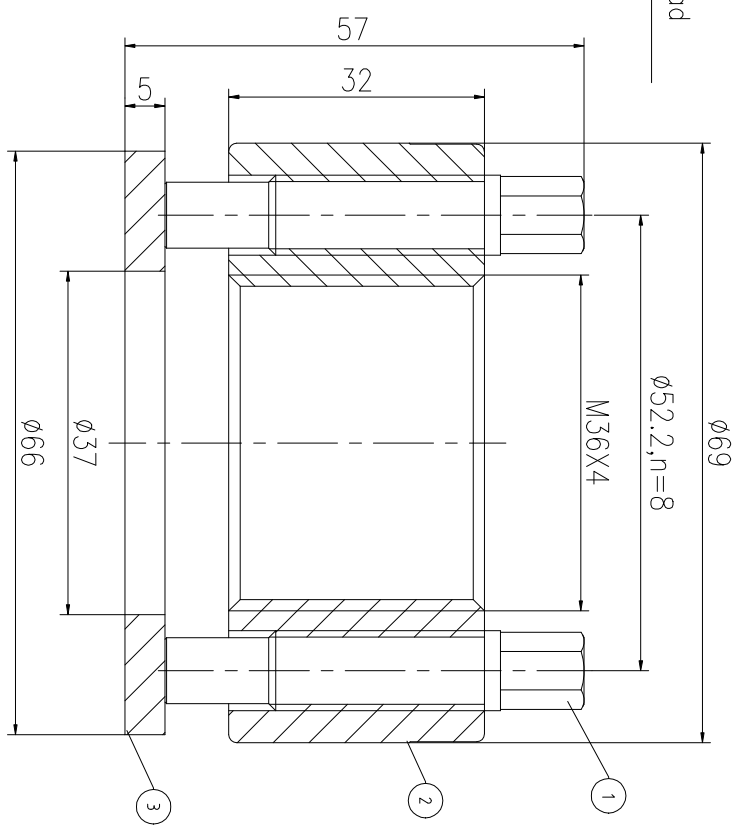
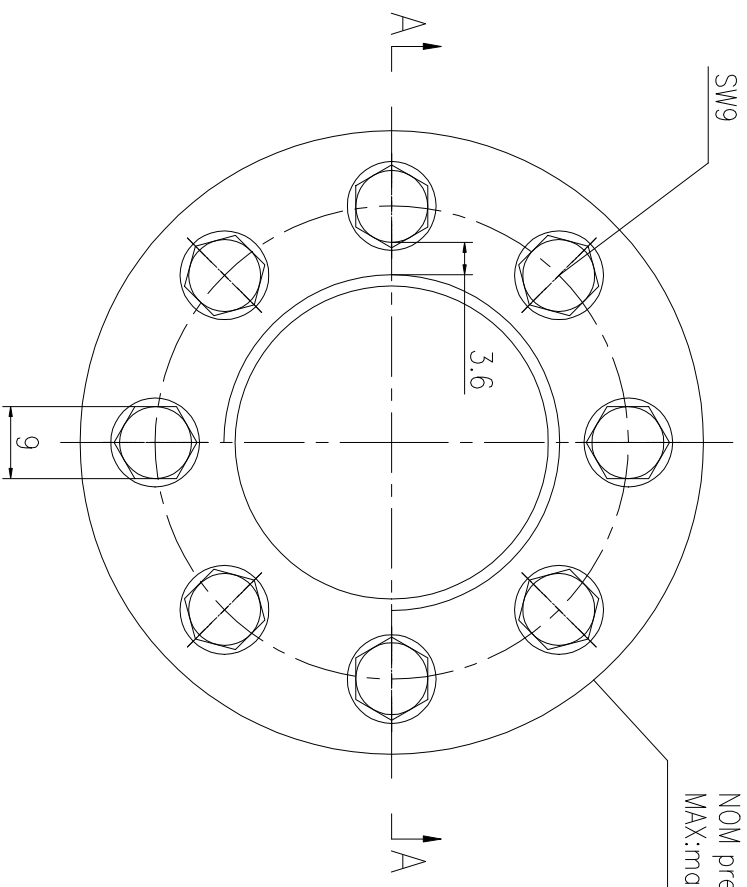


REV	DESCRIPTION	DWG CHECK	APPR BY	APPR DATE

REVISION HISTORY

Logo  
 PSN:model  
 NO:drawing number  
 NOM torque:\*\*  
 NOM preload:\*\*  
 MAX:max preload

A-A



PART	DWG NO.	QTY	DESCRIPTION	MATERIAL	WEIGHT(kg)
1	BAS11.120523	8	Bolt 7/16-20UNF	CNMMo	0.04/pcs
2	AS36441H-1	1	Nut M36X4	CNMMo	0.53
3	AS36441H-3	1	Gasket 37X66X5	CNMMo	0.1

During on-site installation, please adjust the torque in conjunction with the bolt stretching distance. Without our authorization, the drawings shall not be shared with any third party, and we reserve the right to pursue legal liability against those who disclose the drawings to external parties.

PARTS LIST

NOM TORQUE	80NM	上海康普曼传动机械有限公司	+86 021-61301856
NOM PRELOAD	455KN	KPM Power Transmission (Shanghai) Co.,Ltd	Liang.Guo@kpmdrive.com.cn
MAX PRELOAD CAPACITY	610KN	DESIGNED: DATE: 2025.11.06	ASH-36X4
LUBRICANT	G-N PLUS	REVIEWED: DATE: 2025.11.06	DWG NO: AS36441H
TEMPERATURE RATING	-25 C~250 C	DRAWN: DATE:	SHEET: 1:1

WEIGHT: 0.95kg  
 STATE: PRELIMINARY APPROVED