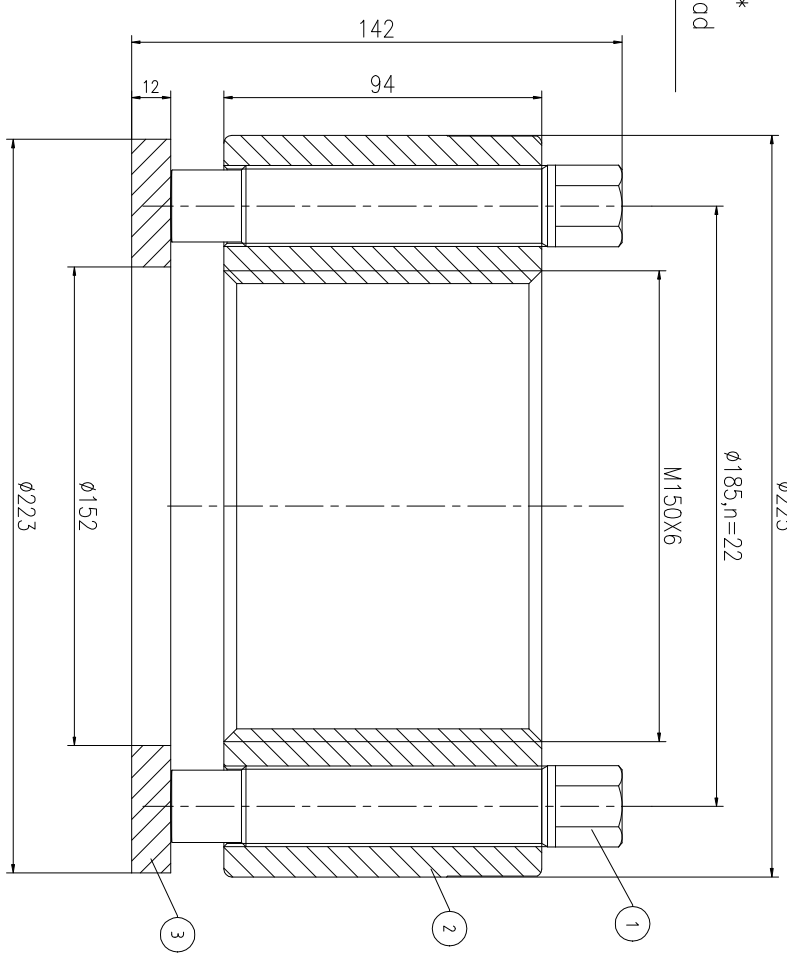
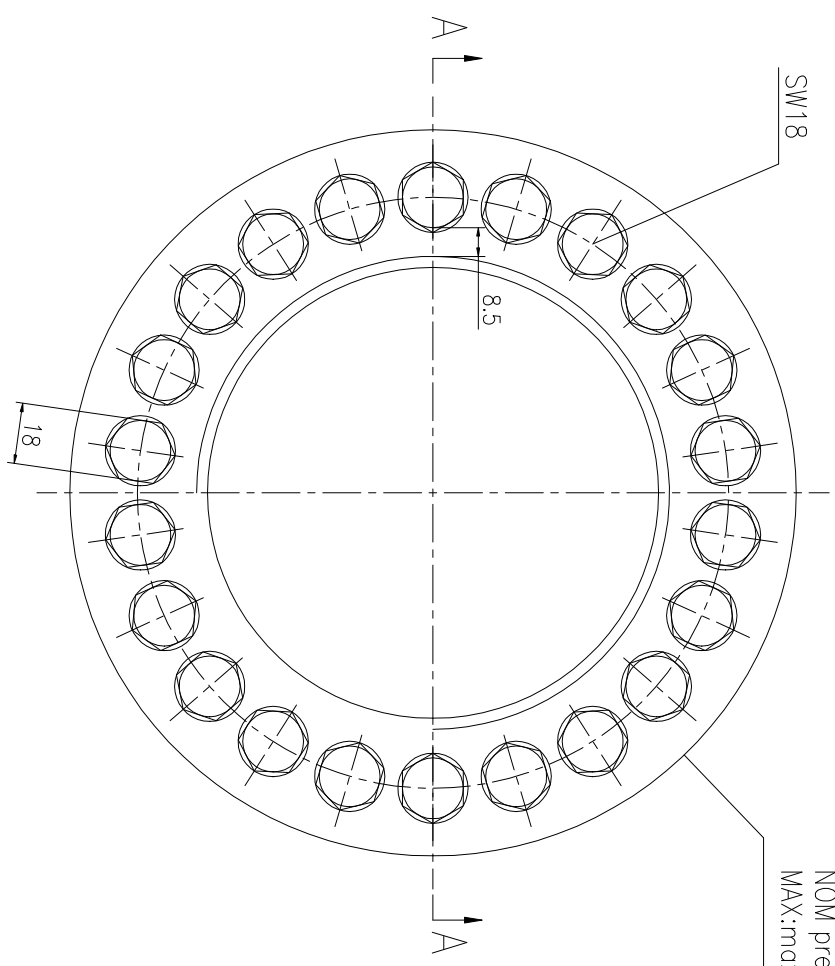


REV	DESCRIPTION	DWG CHECK	APPR BY	APPR DATE

REVISION HISTORY

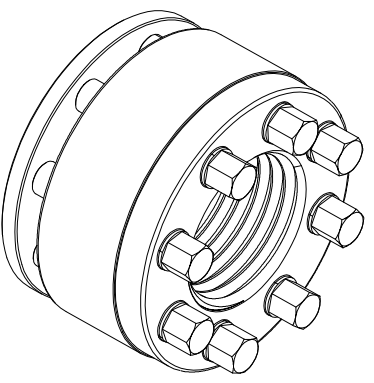
Logo
 PSN:model
 NO:drawing number
 NOM torque:**
 NOM preload:**
 MAX:max preload



PART	DWG NO.	QTY	DESCRIPTION	MATERIAL	WEIGHT(kg)
1	BAS20.6161301	22	Bolt 13/16-16UN-130	CNMMo	0.34/pos
2	AS1506111H-1	1	Nut M150X6	CNMMo	11.7
3	AS1506111H-3	1	Gasket 152X223X12	CNMMo	1.64

During on-site installation, please adjust the torque in conjunction with the bolt stretching distance. Without our authorization, the drawings shall not be shared with any third party, and we reserve the right to pursue legal liability against those who disclose the drawings to external parties.

NOM TORQUE	674NM	上海康普曼传动机械有限公司	+86 021-61301856
NOM PRELOAD	5750KN	KPM Power Transmission (Shanghai) Co.,Ltd	Liang.Guo@kpmdrive.com.cn
MAX PRELOAD CAPACITY	7700KN	DESIGNED: 2025.11.07	ASH-150X6
LUBRICANT	G-N PLUS	REVIEWED: 2025.11.07	DWG NO.: AS1506111H
TEMPERATURE RATING	-25 C~250 C	DRAWN:	SHEET: 1:1



WEIGHT: 20.9kg
 STATE: PRELIMINARY APPROVED