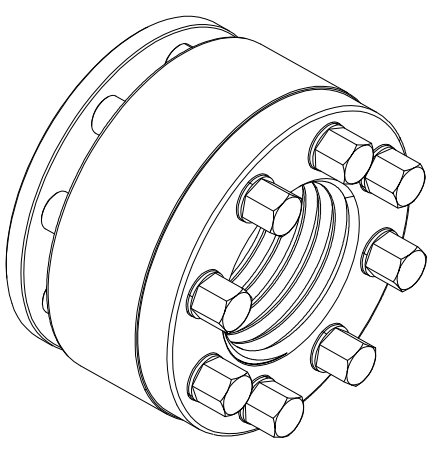
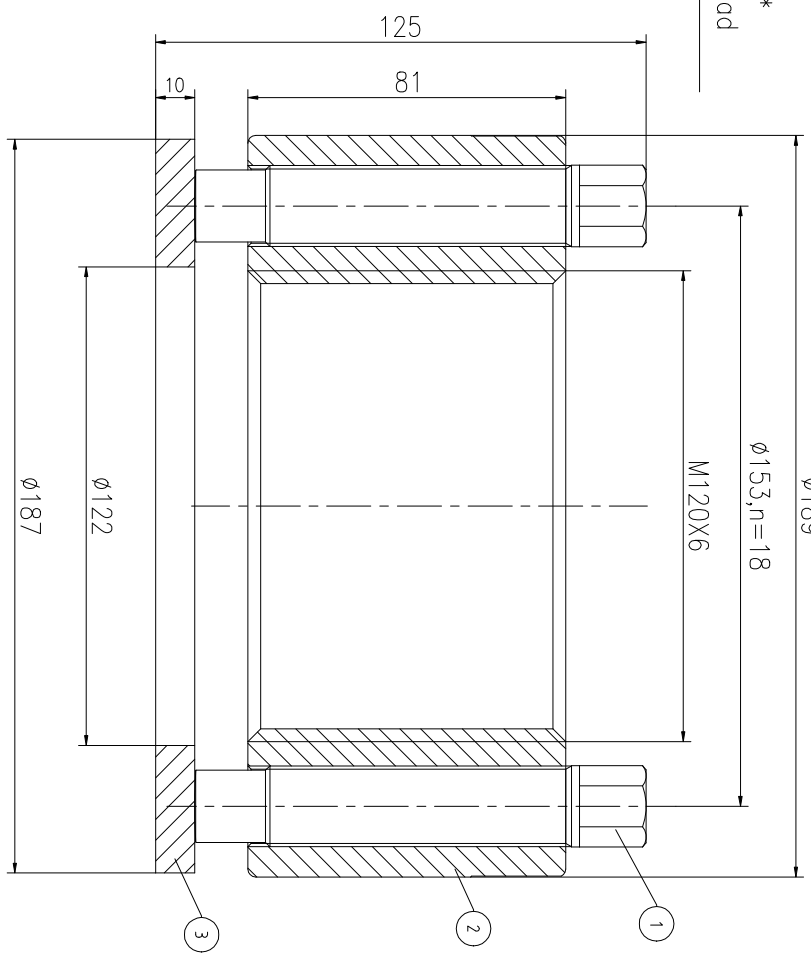
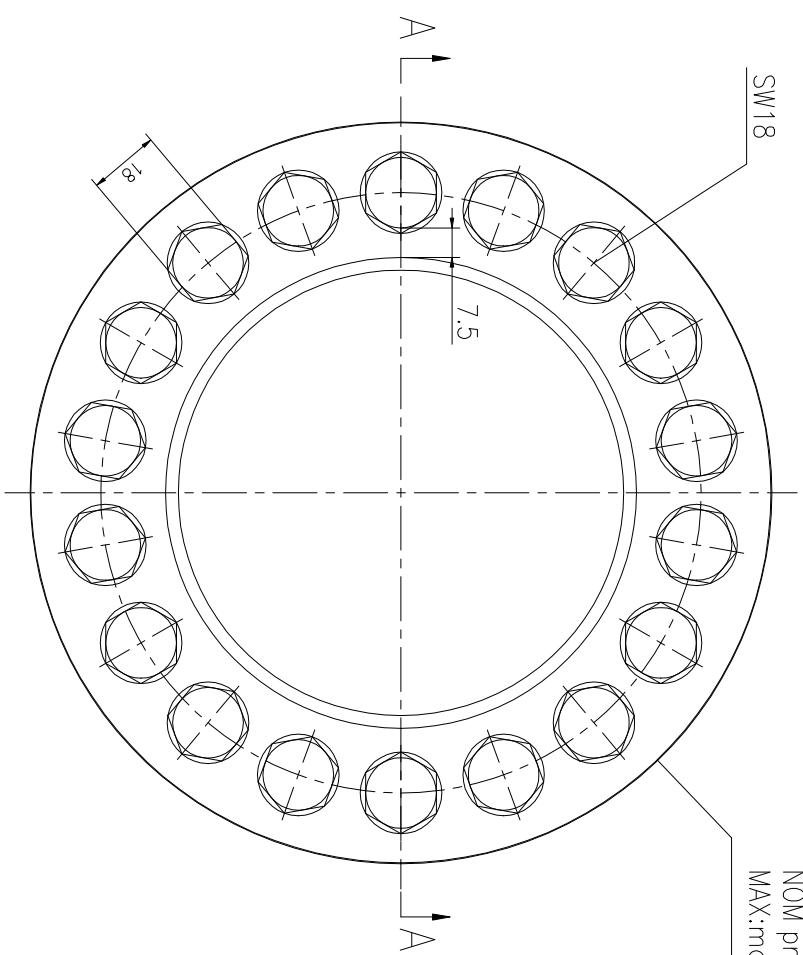


REV	DESCRIPTION	DWG CHECK	APPR BY	APPR DATE

REVISION HISTORY

Logo
 PSN:model
 NO:drawing number
 NOM torque:**
 NOM preload:**
 MAX:max preload



NOM TORQUE	674NM
NOM PRELOAD	4700KN
MAX PRELOAD CAPACITY	6300KN
LUBRICANT	G-N PLUS
TEMPERATURE RATING	-25 C~250 C

PART	DWG NO.	QTY	DESCRIPTION	MATERIAL	WEIGHT(kg)
1	BAS20.6161151	18	Bolt 13/16-16UN	CNMMo	0.3/pcs
2	AS120691H-1	1	Nut M120X6	CNMMo	7.43
3	AS120691H-3	1	Gasket 122X187X10	CNMMo	1.24

During on-site installation, please adjust the torque in conjunction with the bolt stretching distance. Without our authorization, the drawings shall not be shared with any third party, and we reserve the right to pursue legal liability against those who disclose the drawings to external parties.

DESIGNED:	DATE:	2025.11.07
REVIEWED:	DATE:	2025.11.07
DRAWN:	DATE:	

上海康普曼传动机械有限公司
 KPM Power Transmission (Shanghai) Co.,Ltd
 +86 021-61301856
 Liang.Guo@kpmdrive.com.cn

ASH-120X6
 WEIGHT: 14kg
 STATE: PRELIMINARY APPROVED