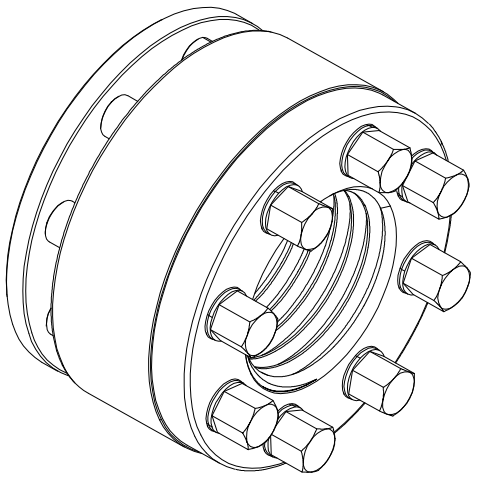
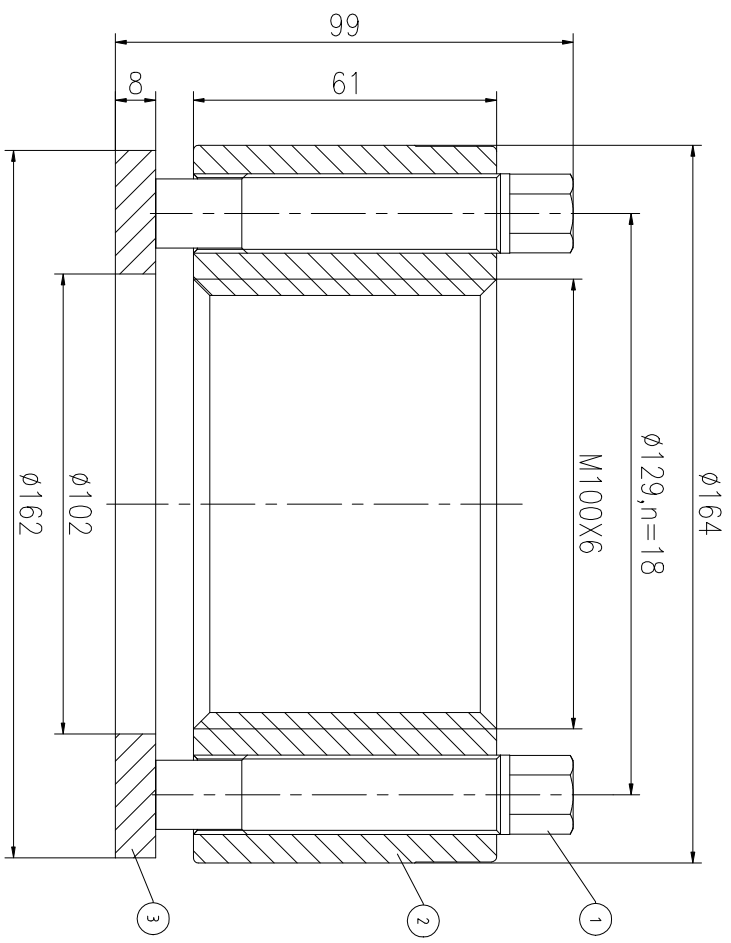
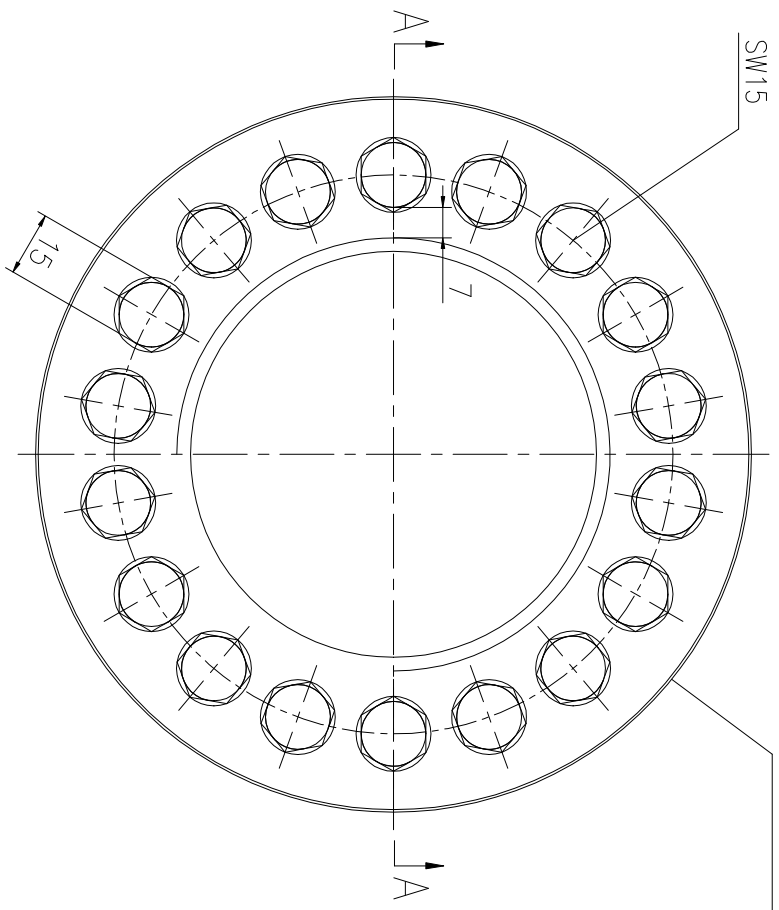


Logo  
 PSN:model  
 NO:drawing number  
 NOM torque:\*\*  
 NOM preload:\*\*  
 MAX:max preload



NOM TORQUE	352NM
NOM PRELOAD	2900KN
MAX PRELOAD CAPACITY	3750KN
LUBRICANT	G-N PLUS
TEMPERATURE RATING	-25 C ~250 C°

上海康普曼传动机械有限公司		+86 021-61301856	
KPM Power Transmission (Shanghai) Co.,Ltd		Liang.Guo@kpmdrive.com.cn	
DESIGNED:	DATE: 2025.11.03	ASH-100X6	SHEET: 1/1
REVIEWED:	DATE: 2025.11.03		
DRAWN:	DATE:	DWG NO: AS100691H	STATE: PRELIMINARY APPROVED

PARTS LIST				MATERIAL	WEIGHT(kg)
PART	DWG NO.	QTY	DESCRIPTION	CNNM0	0.17/pos
1	BAS17.516911	18	Bolt 11/16-16UN	CNNM0	4.67
2	AS100691H-1	1	Nut M100X6	CNNM0	0.78
3	AS100691H-3	1	Gasket 102X162X8	CNNM0	0.78

During on-site installation, please adjust the torque in conjunction with the bolt stretching distance. Without our authorization, the drawings shall not be shared with any third party, and we reserve the right to pursue legal liability against those who disclose the drawings to external parties.